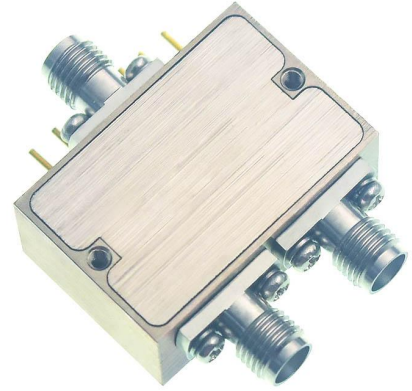


SPECIFICATIONS

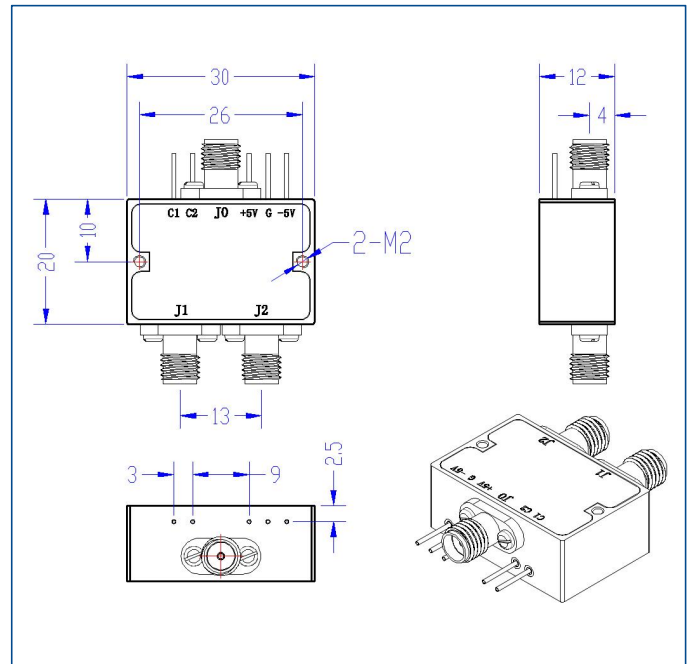
Frequency Range:	6000~18000 MHz
Impedance	50Ω
VSWR	2.0 max. / 1.7 typ.
Insertion Loss	2.8dB max. / 2.4dB typ.
Isolation	60dB min. / 70dB typ.
Switch type	Absorptive, SP2T
Switching Time	100nS
RF Input Power(CW)	0.2 Watts
Supply Voltage	±5V
Current	30mA
Operating Temp.	-40°C~+70°C
TTL Control Connector	Solder Pin
Connector Type	Field Replaceable SMA Female (0.38mm Pin)



50 Ohm Typical Characteristics

Frequency GHz	VSWR(S11) :1	VSWR(S22) :1	IL(S01) dB	Isolation(S12) dB	Phase(S02) Deg.
5	1.38	1.39	-1.23	-81.45	1.58
6	1.54	1.61	-1.37	-85.79	1.77
7	1.63	1.7	-1.62	-86.96	1.68
8	1.64	1.6	-1.73	-86.43	1.62
9	1.62	1.45	-1.79	-83.68	1.48
10	1.58	1.3	-1.82	-84.4	1.27
11	1.58	1.28	-1.85	-83.92	1.38
12	1.58	1.39	-1.92	-82.89	1.7
13	1.33	1.25	-1.92	-84.56	1.96
14	1.3	1.25	-2.08	-74.79	2.24
15	1.54	1.27	-2.32	-75.18	2.48
16	1.54	1.11	-2.48	-74.97	2.64
17	1.39	1.12	-2.48	-75.31	2.8
18	1.23	1.17	-2.6	-74.36	3.89
19	1.37	1.28	-2.83	-70.43	5.64

Dimensions[mm]



Typical Test Curve

