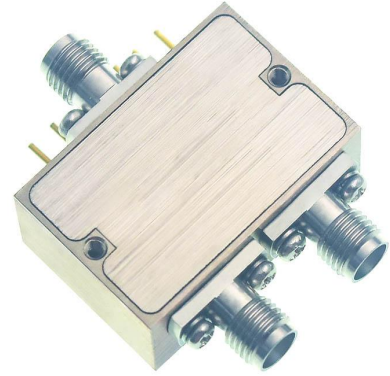


**SPECIFICATIONS**

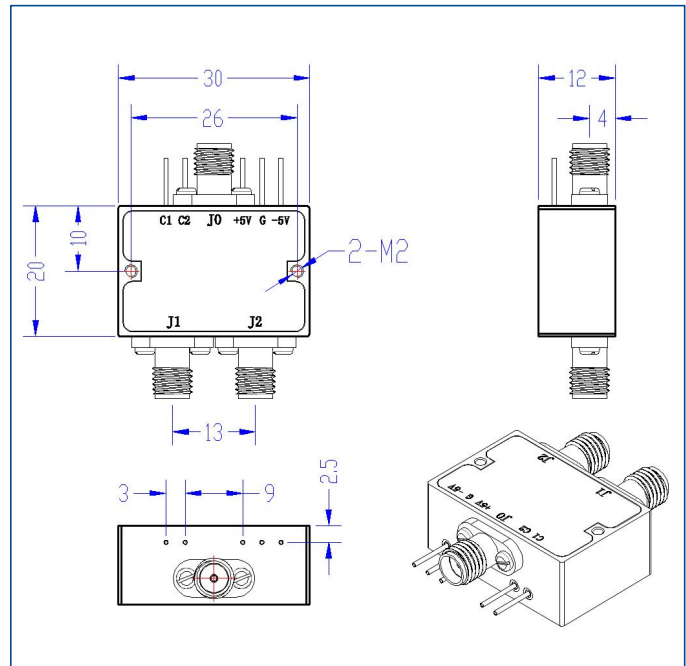
Frequency Range:	20~3000 MHz
Impedance	50Ω
VSWR	2.0 max.
Insertion Loss	2.2dB max. / 1.5dB typ.
Isolation	60dB min. / 80dB typ.
Switch type	Absorptive, SP2T
Switching Time	100nS
RF Input Power(CW)	0.2 Watts
Supply Voltage	±5V
Current	30mA
Operating Temp.	-40°C~+70°C
TTL Control Connector	Solder Pin [0-on, 1-off]
Connector Type	Field Replaceable SMA Female (0.38mm Pin)



**50 Ohm Typical Characteristics**

Frequency	VSWR (S00)	VSWR (S22)	IL (S02)	Phase (S02)	Isolation (S12)
MHz	:1	:1	dB	Deg.	dB
20	1.23	1.29	-2.1	-1.74	-86.44
247	1.14	1.17	-0.82	-0.26	-87.47
474	1.16	1.18	-0.81	-0.05	-86.17
701	1.17	1.2	-0.84	0.06	-84.91
929	1.17	1.2	-0.86	0.12	-82.31
1156	1.17	1.2	-0.85	0.28	-82.72
1383	1.15	1.19	-0.92	0.31	-83.48
1610	1.13	1.18	-0.99	0.3	-85.00
1837	1.1	1.17	-1.09	0.61	-88.37
2064	1.11	1.15	-1.23	1.23	-86.91
2291	1.08	1.15	-1.29	0.69	-87.51
2519	1.06	1.14	-1.24	0.39	-87.07
2746	1.03	1.14	-1.25	0.44	-85.86
2973	1.01	1.15	-1.22	0.53	-86.48
3200	1.02	1.17	-1.21	0.56	-86.27

**Dimensions[mm]**



**Typical Test Curve**

