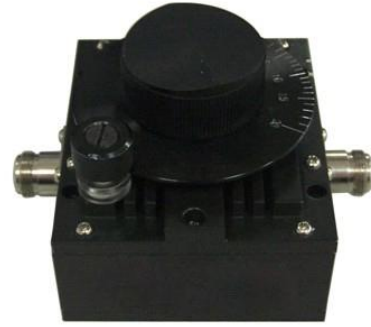


FEATURES

- Small Size
- High Accuracy
- High Stability
- Rugged Design

APPLICATIONS

- Wireless Communication
- Laboratory Test



Electrical Specifications

Frequency Range	0.9~4GHz
Bandwidth	100MHz & 200MHz
Attenuation Range	0~10dB & 0~15dB
Attenuation Accuracy	±0.5dB
VSWR	1.5 max.
Insertion Loss	1.0dB max.
Impedance	50 Ohms
Average Power	75 Watts

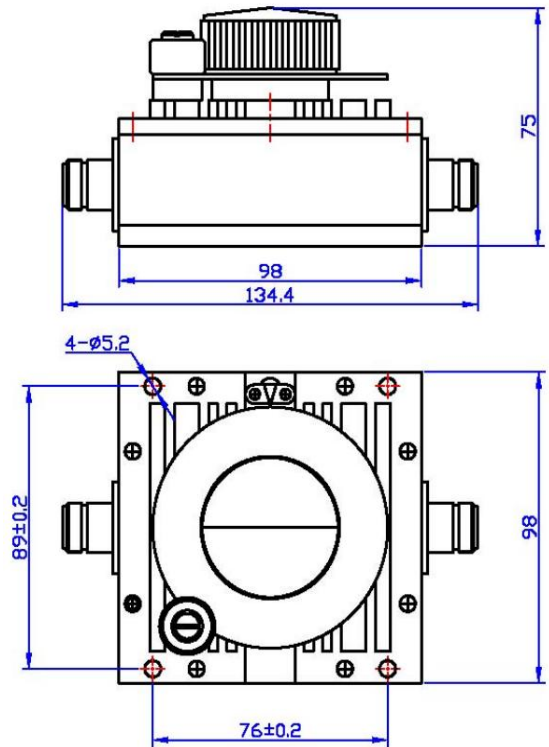
Mechanical Specifications

Connector	N female to N female
Connector Material	Brass Nickel Plated
Female Pin	Beryllium Copper, Gold Plated
Housing	Aluminum, Black Anodized
Temperature Range	-40°C ~ +65°C
Weight	1.5kg
Size	135×98×75mm
RoHS Status	RoHS Compliant

Ordering Information

75WVA	13598	-	10	-	900	-	1000	-	N
RF Connector									
N:N female to N female									
Max Frequency(MHz)									
Min Frequency(MHz)									
Max Attenuation Value(dB)									
Attenuator Dimensions(mm)									
75W Variable Attenuator									

Outline Drawings[mm]



* 75WVA13598 becomes:
 75WVA13598-10-900-1100-N when start frequency is 900MHz, bandwidth 200MHz and attenuation range 0~10dB.
 * 75WVA13598 becomes:
 75WVA13598-15-1000-1100-N when start frequency is 1000MHz, bandwidth 100MHz and attenuation range 0~15dB.