

## FEATURES

- Small Size
- High Accuracy
- High Stability
- Rugged Design

## APPLICATIONS

- Wireless Communication
- Laboratory Test



## Electrical Specifications

Frequency Range	0.9~4GHz
Bandwidth	100MHz & 200MHz
Attenuation Range	0~10dB & 0~20dB
Attenuation Accuracy	±0.5dB
VSWR	1.5 max.
Insertion Loss	1.0dB max.
Impedance	50 Ohms
Average Power	100 Watts

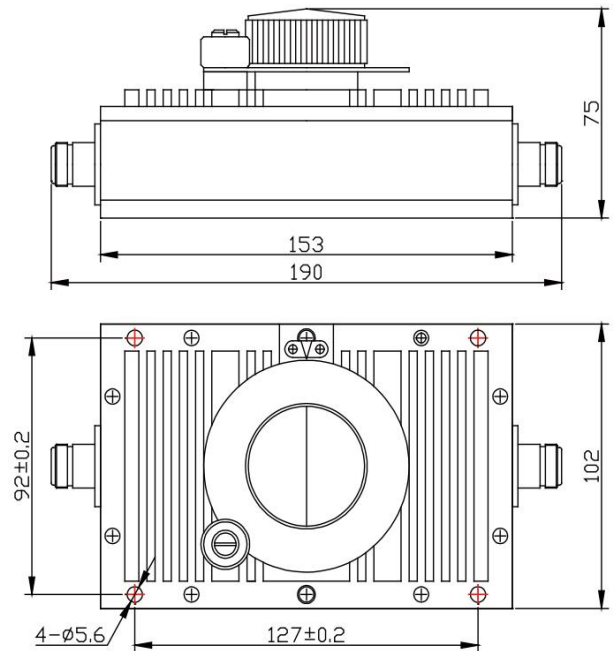
## Mechanical Specifications

Connector	N female to N female
Connector Material	Brass Nickel Plated
Female Pin	Beryllium Copper, Gold Plated
Housing	Aluminum, Black Anodized
Temperature Range	-40°C ~ +65°C
Weight	1.85kg
Size	190×102×75mm
RoHS Status	RoHS Compliant

## Ordering Information

<b>100WVA</b>	<b>190102</b>	-	<b>10</b>	-	<b>2700</b>	-	<b>2900</b>	-	<b>N</b>
RF Connector <i>N:N female to N female</i>									
Max Frequency(MHz)									
Min Frequency(MHz)									
Max Attenuation Value(dB)									
Attenuator Dimensions(mm)									
100W Variable Attenuator									

## Outline Drawings[mm]



- \* 100WVA190102 becomes:  
100WVA190102-10-2700-2900-N when start frequency is 2700MHz, bandwidth 200MHz and attenuation range 0~10dB.
- \* 100WVA190102 becomes:  
100WVA190102-20-1000-1100-N when start frequency is 1000MHz, bandwidth 100MHz and attenuation range 0~20dB.