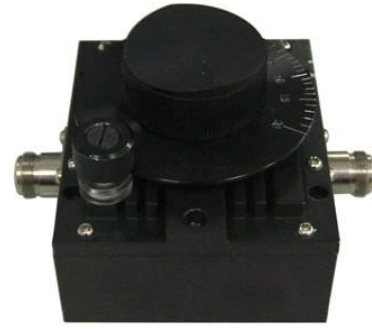


FEATURES

- Small Size
- High Accuracy
- High Stability
- Rugged Design

APPLICATIONS

- Wireless Communication
- Laboratory Test



Electrical Specifications

Frequency Range	5~6GHz
Bandwidth	100MHz & 200MHz
Attenuation Range	0~15dB
Attenuation Accuracy	±1.0dB
VSWR	1.55 max.
Insertion Loss	1.2dB max.
Impedance	50 Ohms
Average Power	100 Watts

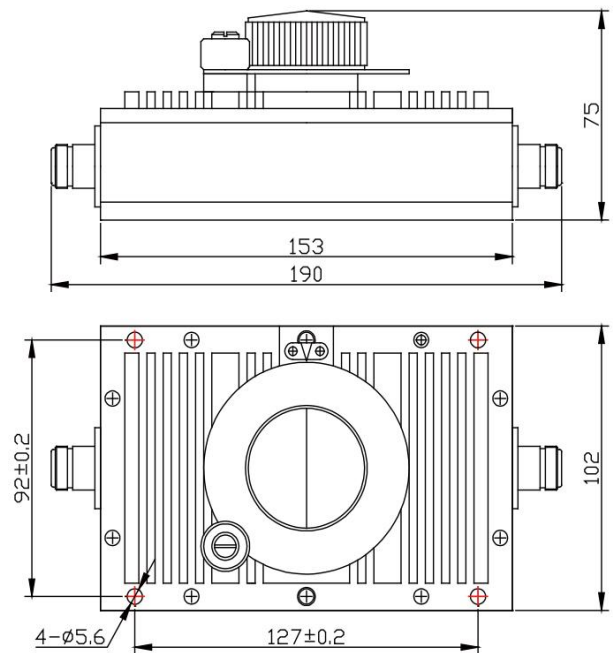
Mechanical Specifications

Connector	N female to N female
Connector Material	Brass Nickel Plated
Female Pin	Beryllium Copper, Gold Plated
Housing	Aluminum, Black Anodized
Temperature Range	-40°C ~ +65°C
Weight	1.85kg
Size	190×102×75mm
RoHS Status	RoHS Compliant

Ordering Information

100WVA	190102	-	15	-	5400	-	5600	-	N
RF Connector <i>N:N female to N female</i>									
Max Frequency(MHz)									
Min Frequency(MHz)									
Max Attenuation Value(dB)									
Attenuator Dimensions(mm)									
100W Variable Attenuator									

Outline Drawings[mm]



* 100WVA190102 becomes:
100WVA190102-15-5400-5600-N when start frequency is 5400MHz, bandwidth 200MHz and attenuation range 0~15dB.
* 100WVA190102 becomes:
100WVA190102-15-5000-5100-N when start frequency is 5000MHz, bandwidth 100MHz and attenuation range 0~15dB.