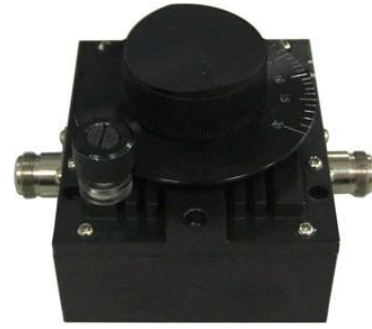


## FEATURES

- Small Size
- High Accuracy
- High Stability
- Rugged Design

## APPLICATIONS

- Wireless Communication
- Laboratory Test



## Electrical Specifications

Frequency Range	5~6GHz
Bandwidth	100MHz & 200MHz
Attenuation Range	0~15dB
Attenuation Accuracy	±1.0dB
VSWR	1.55 max.
Insertion Loss	1.2dB max.
Impedance	50 Ohms
Average Power	300 Watts

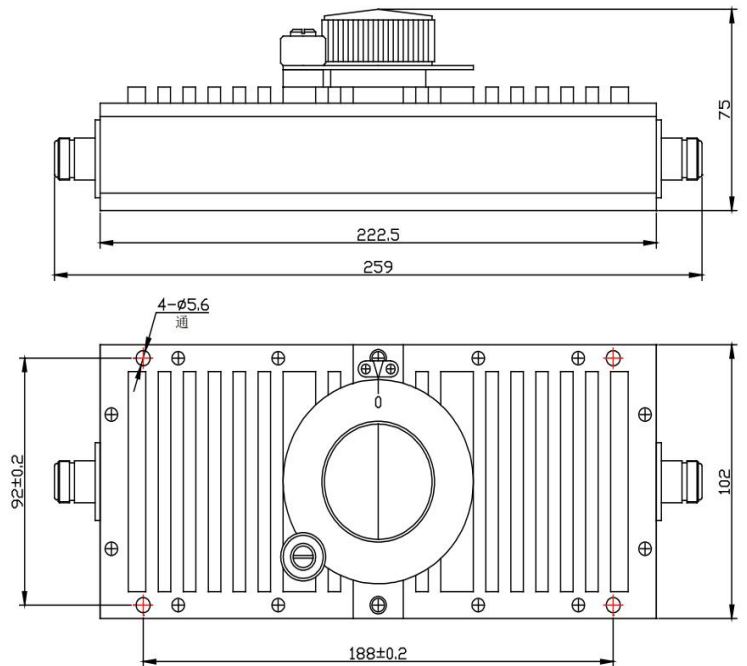
## Mechanical Specifications

Connector	N female to N female
Connector Material	Brass Nickel Plated
Female Pin	Beryllium Copper, Gold Plated
Housing	Aluminum, Black Anodized
Temperature Range	-40°C ~ +65°C
Weight	2.6kg
Size	259×102×75mm
RoHS Status	RoHS Compliant

## Ordering Information

<b>300WVA</b>	<b>259102</b>	-	<b>15</b>	-	<b>5400</b>	-	<b>5600</b>	-	<b>N</b>
RF Connector N:N female to N female Max Frequency(MHz) Min Frequency(MHz) Max Attenuation Value(dB) Attenuator Dimensions(mm)									
300W Variable Attenuator									

## Outline Drawings[mm]



\* 300WVA259102 becomes:  
 300WVA259102-15-5400-5600-N when start frequency is 5400MHz, bandwidth 200MHz and attenuation range 0~15dB.  
 \* 300WVA259102 becomes:  
 300WVA259102-15-5000-5100-N when start frequency is 5000MHz, bandwidth 100MHz and attenuation range 0~15dB.