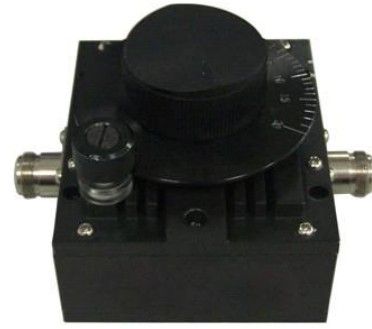


FEATURES

- Small Size
- High Accuracy
- High Stability
- Rugged Design

APPLICATIONS

- Wireless Communication
- Laboratory Test



Electrical Specifications

Frequency Range	9.5~10.5GHz
Bandwidth	100MHz & 200MHz
Attenuation Range	0~12dB
Attenuation Accuracy	±1.0dB
VSWR	1.6 max.
Insertion Loss	1.5dB max.
Impedance	50 Ohms
Average Power	300 Watts

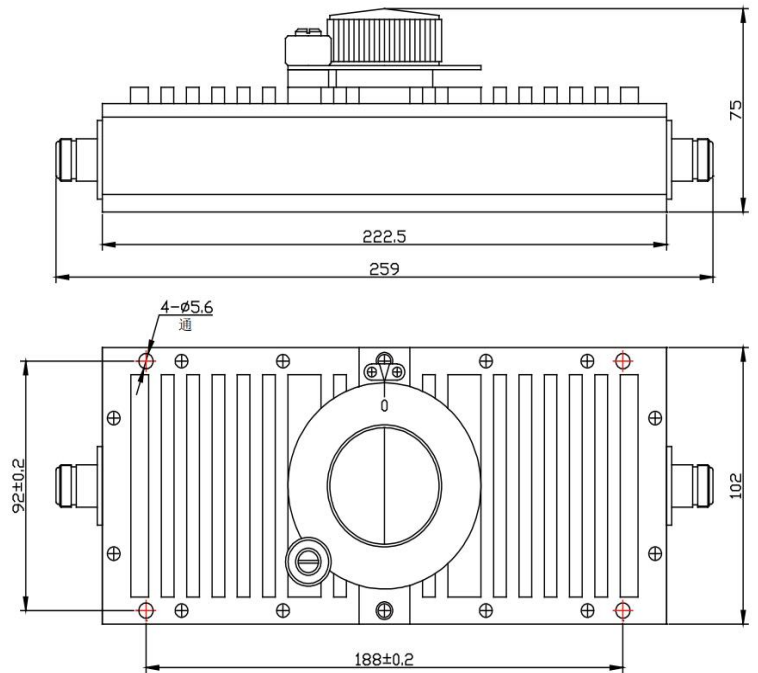
Mechanical Specifications

Connector	N female to N female
Connector Material	Brass Nickel Plated
Female Pin	Beryllium Copper, Gold Plated
Housing	Aluminum, Black Anodized
Temperature Range	-40°C ~ +65°C
Weight	2.6kg
Size	259×102×75mm
RoHS Status	RoHS Compliant

Ordering Information

300WVA	259102	-	12	-	9500	-	9600	-	N
RF Connector N:N female to N female Max Frequency(MHz) Min Frequency(MHz) Max Attenuation Value(dB) Attenuator Dimensions(mm)									
300W Variable Attenuator									

Outline Drawings[mm]



- * 300WVA259102 becomes:
 300WVA259102-12-9500-9600-N when start frequency is 9500MHz, bandwidth 100MHz and attenuation range 0~12dB.
- * 300WVA259102 becomes:
 300WVA259102-12-10300-10500-N when start frequency is 10300MHz, bandwidth 200MHz and attenuation range 0~12dB.