

FEATURES

- Small Size
- High Accuracy
- High Stability
- Rugged Design

APPLICATIONS

- Wireless Communication
- Laboratory Test



Electrical Specifications

Frequency Range	DC~2.5GHz
Bandwidth	100%
Attenuation Range	0~10dB & 0~16dB
Attenuation Accuracy	±0.5dB
VSWR	1.5 max.
Impedance	50 Ohms
Average Power	1W

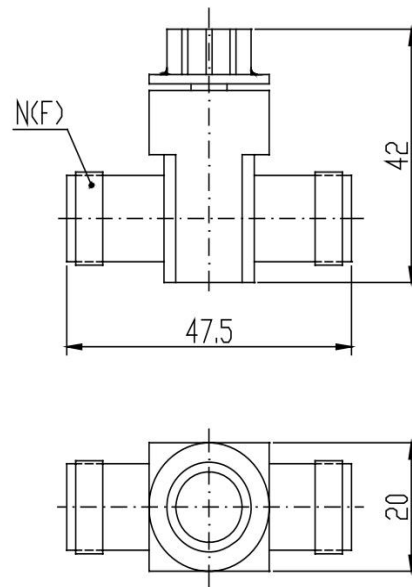
Mechanical Specifications

Connector	N female to N female
Connector Material	Brass Nickel Plated
Female Pin	Beryllium Copper, Gold Plated
Housing	Aluminum
Temperature Range	-40°C ~ +65°C
Weight	65g
Size	47.5×20×42mm
RoHS Status	RoHS Compliant

Ordering Information

1WVA	4720	-	10	-	2500	-	N
		Attenuator Dimensions(mm)		Max Attenuation Value(dB)		Max Frequency(MHz)	
						RF Connector N:N female - N female	
1W Variable Attenuator							

Outline Drawings[mm]



- * 1WVA4720 becomes:
1WVA4720-10-2500-N when attenuation range 0~10dB is desired.
- * 1WVA4720 becomes:
1WVA4720-16-2500-N when attenuation range 0~16dB is desired.