

## FEATURES

- Small Size
- High Accuracy
- High Stability
- Rugged Design

## APPLICATIONS

- Wireless Communication
- Laboratory Test



## Electrical Specifications

Frequency Range	DC~2.5GHz
Bandwidth	100%
Attenuation Range	0~10dB & 0~16dB
Attenuation Accuracy	±0.5dB
VSWR	1.5 max.
Impedance	50 Ohms
Average Power	1W

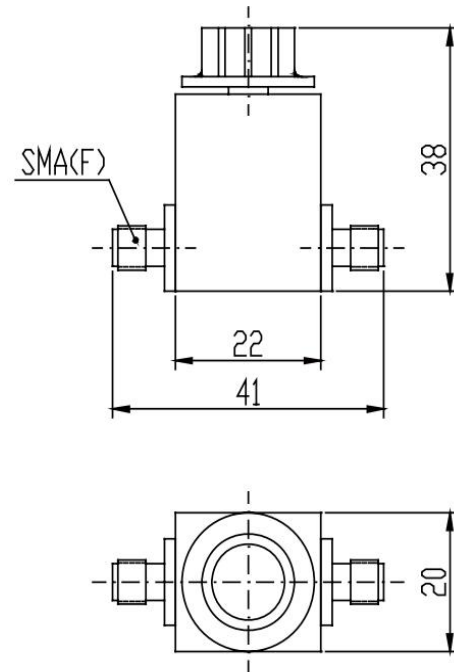
## Mechanical Specifications

Connector	SMA female to SMA female
Connector Material	Brass Nickel Plated
Female Pin	Beryllium Copper, Gold Plated
Housing	Aluminum
Temperature Range	-40°C ~ +65°C
Weight	65g
Size	41×20×38mm
RoHS Status	RoHS Compliant

## Ordering Information

<b>1WVA</b>	<b>4120</b>	-	<b>10</b>	-	<b>2500</b>	-	<b>S</b>
		Attenuator Dimensions(mm)		Max Attenuation Value(dB)		Max Frequency(MHz)	
						RF Connector S:SMA female - SMA female	
1W Variable Attenuator							

## Outline Drawings[mm]



- \* 1WVA4120 becomes:  
1WVA4120-10-2500-S when attenuation range 0~10dB is desired.
- \* 1WVA4120 becomes:  
1WVA4120-16-2500-S when attenuation range 0~16dB is desired.