

FEATURES

- ❑ Small Size
- ❑ High Accuracy
- ❑ High Stability
- ❑ Rugged Design

APPLICATIONS

- ❑ Wireless Communication
- ❑ Laboratory Test



Electrical Specifications

Frequency Range	DC~3GHz
Attenuation Range/Steps	0~1dB in 0.1dB steps
Attenuation Accuracy	±0.2dB
VSWR	1.3 max.
Insertion Loss	0.5 max.
Impedance	50 Ohms
Average Power	2W or 10W
Peak Power	100 Watts (5μs pulse width, 2% duty cycle)

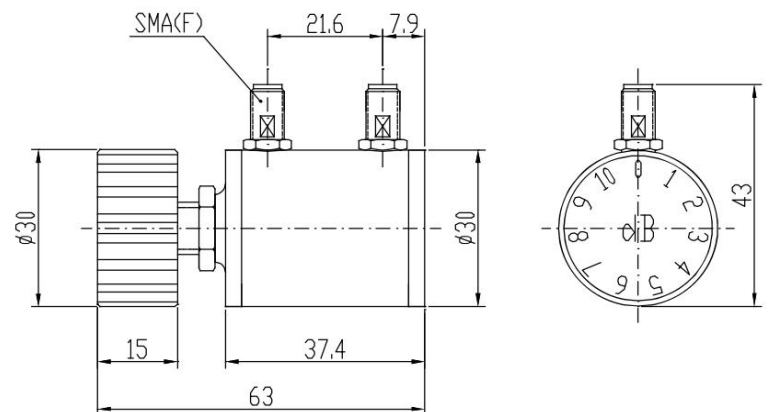
Mechanical Specifications

Connector	SMA or N
Connector Material	Brass Nickel Plated
Female Pin	Beryllium Copper, Gold Plated
Housing	Aluminum, Brass Nickel Plated
Temperature Range	-20°C ~ +85°C
Weight	250g
Size	63×Ø30mm exclusive of connectors
RoHS Status	RoHS Compliant

Ordering Information

XW	SA	6330	-	3	-	1	-	Y
Step Attenuator								
Average Power ▷ options: 2W, 10W		Attenuator Dimensions(mm)			Max Frequency(GHz)		Max Attenuation Value(dB)	
						RF Connector		
						S: SMA female to SMA female		
						N: N female to N female		

Outline Drawings[mm]



- * XWSA6330-3-1-Y becomes:
 10WSA6330-3-1-N, when frequency range DC~3GHz, 0~1dB attenuation range in 0.1dB steps, average power 10W, N connectors, are desired.
- * XWSA6330-3-1-Y becomes:
 2WSA6330-3-1-S, when frequency range DC~3GHz, 0~1dB attenuation range in 0.1dB steps, average power 2W, SMA connectors, are desired.