

FEATURES

- ❑ Small Size
- ❑ High Accuracy
- ❑ High Stability
- ❑ Rugged Design

APPLICATIONS

- ❑ Wireless Communication
- ❑ Laboratory Test



Electrical Specifications

Frequency Range	DC~2.5GHz
Attenuation Range/Steps	0~10dB in 1dB steps
Attenuation Accuracy	±0.4dB
VSWR	1.25 max.
Insertion Loss	0.4 max.
Impedance	50 Ohms
Average Power	2W or 10W
Peak Power	100 Watts (5μs pulse width, 2% duty cycle)

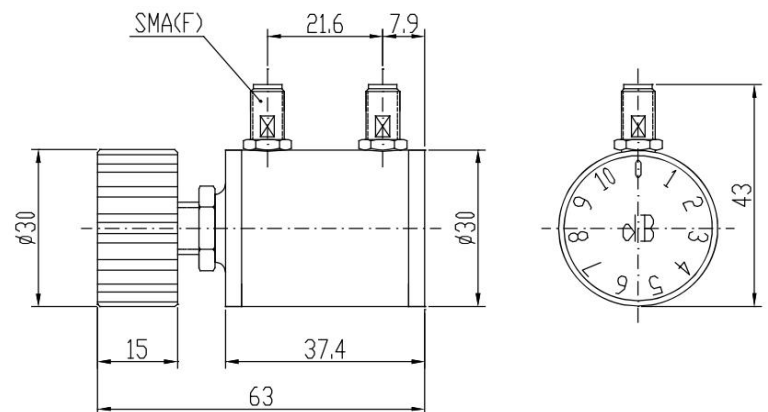
Mechanical Specifications

Connector	SMA or N
Connector Material	Brass Nickel Plated
Female Pin	Beryllium Copper, Gold Plated
Housing	Aluminum, Brass Nickel Plated
Temperature Range	-20°C ~ +85°C
Weight	250g
Size	63×Ø30mm exclusive of connectors
RoHS Status	RoHS Compliant

Ordering Information

XW	SA	6330	-	2.5	-	10	-	Y
<p>RF Connector S: SMA female to SMA female N: N female to N female</p> <p>Max Attenuation Value(dB)</p> <p>Max Frequency(GHz)</p> <p>Attenuator Dimensions(mm)</p> <p>Step Attenuator</p> <p>Average Power ▷ options: 2W, 10W</p>								

Outline Drawings[mm]



* XWSA6330-2.5-10-Y becomes:
10WSA6330-2.5-10-N, when frequency range DC~2.5GHz, 0~10dB attenuation range in 1dB steps, average power 10W, N connectors, are desired.

* XWSA6330-2.5-10-Y becomes:
2WSA6330-2.5-10-S, when frequency range DC~2.5GHz, 0~10dB attenuation range in 1dB steps, average power 2W, SMA connectors, are desired.