

FEATURES

- Small Size
- High Accuracy
- High Stability
- Rugged Design

APPLICATIONS

- Wireless Communication
- Laboratory Test



Electrical Specifications

Frequency Range	DC~12.4GHz
Attenuation Range/Steps	0~9dB in 1dB steps
Attenuation Accuracy	±0.8dB
VSWR	1.5 max.
Insertion Loss	1.0 max.
Impedance	50 Ohms
Average Power	2W or 10W
Peak Power	200 Watts (5μs pulse width, 0.5% duty cycle)

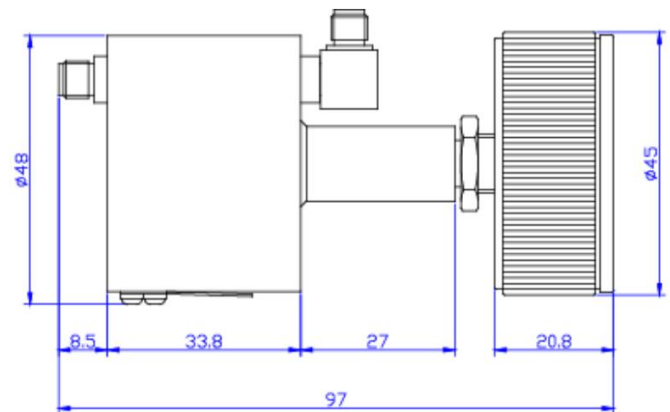
Mechanical Specifications

Connector	SMA female to SMA female
Connector Material	Stainless Steel
Female Pin	Beryllium Copper, Gold Plated
Housing	Aluminum
Temperature Range	-20°C ~ +85°C
Weight	220g
Size	97×Ø48mm exclusive of connectors
RoHS Status	RoHS Compliant

Ordering Information

XW	SA	9748	-	12.4	-	9	-	S
								RF Connector
								S: SMA female to SMA female
						Max Attenuation Value(dB)		
				Max Frequency(GHz)				
		Attenuator Dimensions(mm)						
Step Attenuator								
Average Power ▷ options: 2W, 10W								

Outline Drawings[mm]



* XWSA9748-12.4-9-S becomes: 2WSA9748-12.4-9-S when average power 2W is desired.
* XWSA9748-12.4-9-S becomes: 10WSA9748-12.4-9-S when average power 10W is desired.