

## FEATURES

- Small Size
- High Accuracy
- High Stability
- Rugged Design

## APPLICATIONS

- Wireless Communication
- Laboratory Test



## Electrical Specifications

Frequency Range	DC~18GHz
Attenuation Range/Steps	0~9dB in 1dB steps
Attenuation Accuracy	±1.0dB
VSWR	1.6 max.
Insertion Loss	1.2 max.
Impedance	50 Ohms
Average Power	2W or 10W
Peak Power	200 Watts (5μs pulse width, 0.5% duty cycle)

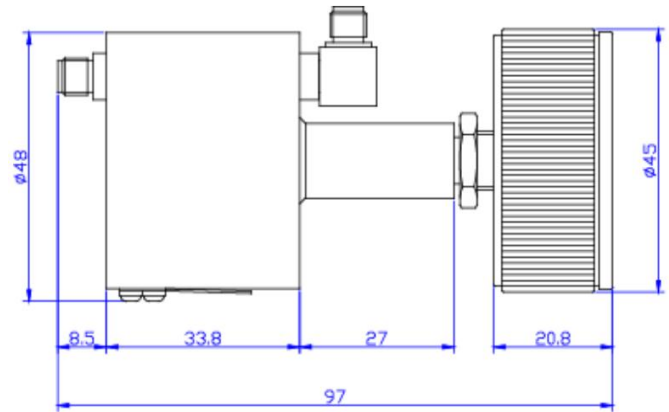
## Mechanical Specifications

Connector	SMA female to SMA female
Connector Material	Stainless Steel
Female Pin	Beryllium Copper, Gold Plated
Housing	Aluminum
Temperature Range	-20°C ~ +85°C
Weight	220g
Size	97×Ø48mm exclusive of connectors
RoHS Status	RoHS Compliant

## Ordering Information

<b>XW</b>	<b>SA</b>	<b>9748</b>	<b>-</b>	<b>18</b>	<b>-</b>	<b>9</b>	<b>-</b>	<b>S</b>
Average Power ▷ options: 2W, 10W								
Step Attenuator								
Attenuator Dimensions(mm)								
Max Frequency(GHz)								
Max Attenuation Value(dB)								
RF Connector S: SMA female to SMA female								

## Outline Drawings[mm]



\* XWSA9748-18-9-S becomes: 2WSA9748-18-9-S when average power 2W is desired.  
\* XWSA9748-18-9-S becomes: 10WSA9748-18-9-S when average power 10W is desired.