

FEATURES

- ❑ Small Size
- ❑ High Accuracy
- ❑ High Stability
- ❑ Rugged Design

APPLICATIONS

- ❑ Wireless Communication
- ❑ Laboratory Test



Electrical Specifications

Frequency Range	0.1~18GHz
Attenuation Range/Steps	0~90dB in 10dB steps
Attenuation Accuracy	±1.5dB (0~60dB) ±2.5dB (70~90dB)
VSWR	1.6 max.
Insertion Loss	1.5 max.
Impedance	50 Ohms
Average Power	2W or 10W
Peak Power	200 Watts (5μs pulse width, 0.5% duty cycle)

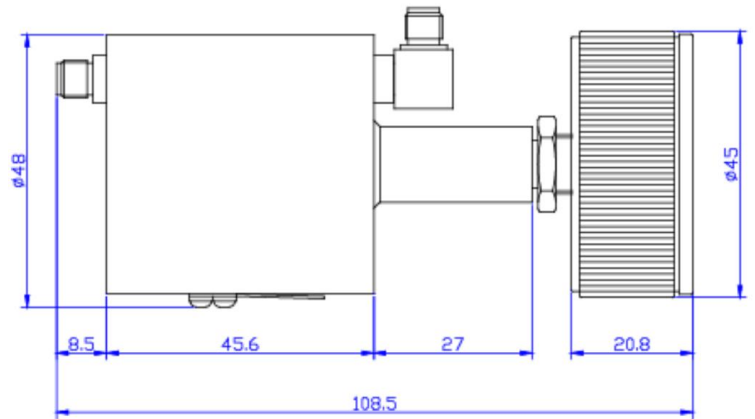
Mechanical Specifications

Connector	SMA female to SMA female
Connector Material	Stainless Steel
Female Pin	Beryllium Copper, Gold Plated
Housing	Aluminum
Temperature Range	-20°C ~ +85°C
Weight	280g
Size	108.5×Ø48mm exclusive of connectors
RoHS Status	RoHS Compliant

Ordering Information

XW	SA	10848	-	18	-	90	-	S
RF Connector S: SMA female to SMA female								
Max Attenuation Value(dB)								
Max Frequency(GHz)								
Attenuator Dimensions(mm)								
Step Attenuator								
Average Power ▷ options: 2W, 10W								

Outline Drawings[mm]



* XWSA10848-18-90-S becomes: **2WSA10848-18-90-S** when average power 2W is desired.
 * XWSA10848-18-90-S becomes: **10WSA10848-18-90-S** when average power 10W is desired.