

## FEATURES

- High Accuracy
- High Stability
- Rugged Design

## APPLICATIONS

- Wireless Communication
- Laboratory Test



## Electrical Specifications

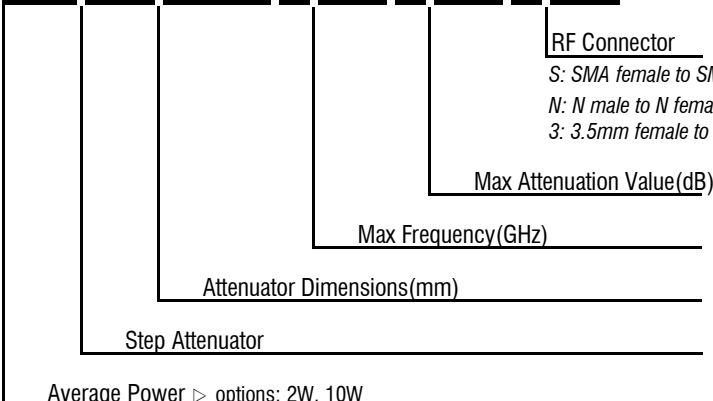
Frequency Range	DC~18GHz
Attenuation Range/Steps	0~69dB in 1dB steps
Attenuation Accuracy	±0.8dB (0~9dB) ±1.0dB (10~19dB) ±1.5dB (20~49dB) ±2.0dB (50~69dB)
VSWR	1.75 max.
Insertion Loss	1.5 max.
Impedance	50 Ohms
Average Power	2W or 10W
Peak Power	200 Watts (5μs pulse width, 0.5% duty cycle)

## Mechanical Specifications

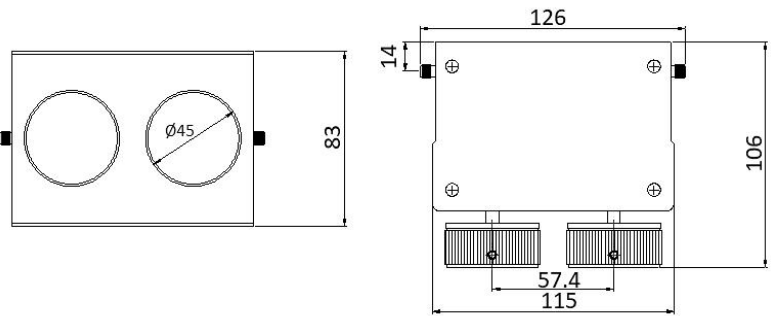
Connector	SMA(f-f), N(m-f), or 3.5mm(f-f)
Connector Material	Brass Nickel Plated
Male Pin	Brass Gold Plated
Female Pin	Beryllium Copper, Gold Plated
Housing	Aluminum, Anodic Oxidation
Temperature Range	0°C ~ +54°C
Size	2W: 115×106×83mm 10W: 126×106×83mm
RoHS Status	RoHS Compliant

## Ordering Information

XW SA 10683 - 18 - 69 - Y



## Outline Drawings[mm]



- XWSA10683-18-69-Y becomes: 2WSA10683-18-69-S when average power is 2 watts and connectors are SMA female.
- XWSA10683-18-69-Y becomes: 10WSA10683-18-69-N when average power is 10 watts and connectors are N male to N female.