

FEATURES

- High Accuracy
- High Stability
- Rugged Design

APPLICATIONS

- Wireless Communication
- Laboratory Test



Electrical Specifications

Frequency Range	DC~12.4GHz
Attenuation Range/Steps	0~99dB in 1dB steps
Attenuation Accuracy	±0.8dB (0~9dB)
	±1.0dB (10~19dB)
	±1.5dB (20~49dB)
	±2.0dB (50~69dB)
	±2.5dB (70~99dB)
VSWR	1.6 max.
Insertion Loss	1.5 max.
Impedance	50 Ohms
Average Power	2W or 10W
Peak Power	200 Watts (5μs pulse width, 0.5% duty cycle)

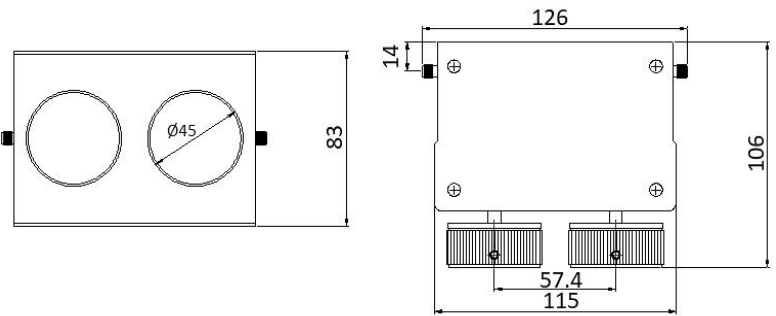
Mechanical Specifications

Connector	SMA(f-f), N(m-f), or 3.5mm(f-f)
Connector Material	Brass Nickel Plated
Male Pin	Brass Gold Plated
Female Pin	Beryllium Copper, Gold Plated
Housing	Aluminum, Anodic Oxidation
Temperature Range	0°C ~ +54°C
Size	2W: 115×106×83mm
	10W: 126×106×83mm
RoHS Status	RoHS Compliant

Ordering Information

XW	SA	10683	-	12.4	-	99	-	Y
RF Connector								
S: SMA female to SMA female								
N: N male to N female								
3: 3.5mm female to 3.5mm female								
Max Attenuation Value(dB)								
Max Frequency(GHz)								
Attenuator Dimensions(mm)								
Step Attenuator								
Average Power ▷ options: 2W, 10W								

Outline Drawings[mm]



- XWSA10683-12.4-99-Y becomes: 2WSA10683-12.4-99-S when average power is 2 watts and connectors are SMA female.
- XWSA10683-12.4-99-Y becomes: 10WSA10683-12.4-99-N when average power is 10 watts and connectors are N male-N female.