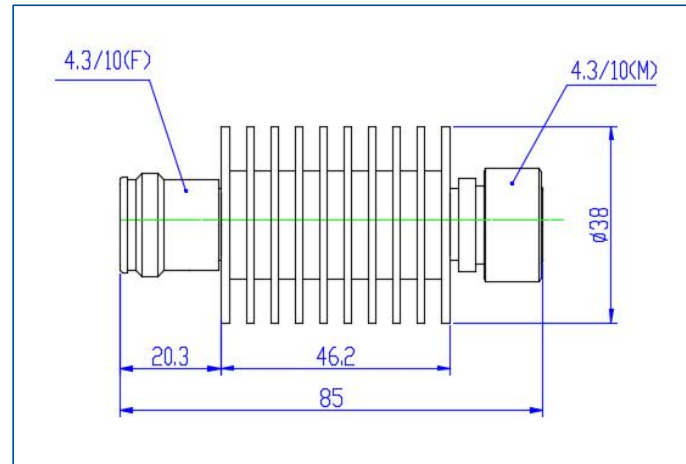


SPECIFICATIONS

Frequency Range:	DC~6GHz
Input Avg Power:	10W@25°C
Peak Power:	1kW(5μs pulse Width, 1% duty cycle)
Impedance:	50 Ohms
Attenuation:	1~40dB
VSWR:	1.25 max.
Connector:	4.3-10 male to 4.3-10 female
Operating Temp.:	-55°C~+125°C
Connector Body:	Nickel plated brass
Female Center Contact:	Gold plated beryllium copper
Male Center Contact:	Gold plated brass
Heat Sink:	Black anodized aluminum
Dimensions:	Ø38×85mm
Net Weight:	135g
RoHS Status:	RoHS Compliant



Dimensions[mm]



Maximum Deviation over Frequency

Nominal ATTN(dB)	Frequency Range(GHz)		
	DC~3	DC~4	DC~6
1~9	±0.4	±0.5	±0.5
10	±0.5	±0.6	±0.6
20	±0.6	±0.6	±0.6
30	±0.6	±0.6	±0.6
40	±0.8	±0.8	±0.8
VSWR(Max.)	1.2	1.2	1.25

Ordering Information

TMFA	X	P	10	-	XX
					Attenuation dB value
					Average Power(W)
					RF Connector (P:4.3-10 male to 4.3-10 female)
					Maximum Frequency(GHz) 3: DC~3 4: DC~4 6: DC~6
					Titan Microwave Fixed Attenuator