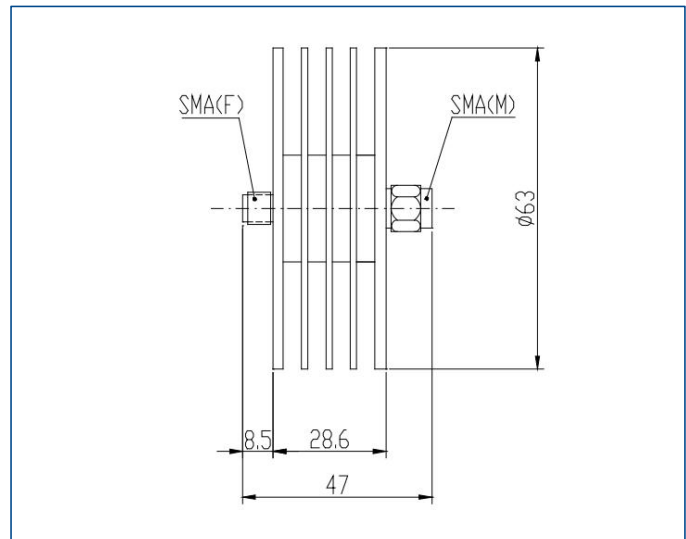


SPECIFICATIONS

Frequency Range:	DC~26.5GHz
Input Avg Power:	25W@25°C
Peak Power:	1kW(5μs pulse width, 1.25% duty cycle)
Impedance:	50 Ohms
Attenuation:	10~40dB
VSWR:	1.35 max.
Connector:	SMA male to SMA female
Operating Temp.:	-55°C~+125°C
Connector Body:	Nickel plated brass
Female Center Contact:	Gold plated beryllium copper
Male Center Contact:	Gold plated brass
Heat Sink:	Black anodized aluminum
Dimensions:	Ø63×47mm
Net Weight:	115g
RoHS Status:	RoHS Compliant



Dimensions[mm]



Maximum Deviation over Frequency

Nominal ATTN(dB)	Frequency Range(GHz)			
	DC~8	DC~12.4	DC~18	DC~26.5
10	±0.4	±0.5	±1.0	±1.2
20	±0.5	±0.8	±1.0	±1.2
30	±0.5	±0.8	±1.0	±1.2
40	±0.5	±0.8	±1.0	±1.2
VSWR(Max.)	1.2	1.25	1.3	1.35

Ordering Information

TMFA	X	S	25	-	XX
					Attenuation dB value
					Average Power(W)
					RF Connector (S:SMA male to SMA female)
					Maximum Frequency(GHz) 8: DC~8 12: DC~12.4 26.5: DC~26.5
					Titan Microwave Fixed Attenuator