

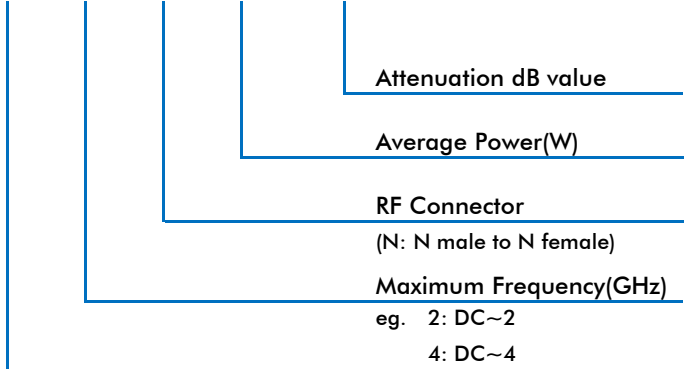
SPECIFICATIONS

Frequency Range:	DC~13GHz
Input Avg Power:	350W@25°C
Peak Power:	5kW(5μs pulse width, 3.5% duty cycle)
Impedance:	50 Ohms
Attenuation:	6~40dB
VSWR:	1.5 max.
Connector:	N male to N female
Operating Temp.:	-55°C~+125°C
Connector Body:	Nickel plated brass
Female Center Contact:	Gold plated beryllium copper
Male Center Contact:	Gold plated brass
Heat Sink:	Black anodized aluminum
Dimensions & Net Weight:	468×63×92mm
Net Weight:	1.5kg
RoHS Status:	RoHS Compliant



Ordering Information

TMFA X N 350A - XX



Titan Microwave Fixed Attenuator

Maximum Deviation over Frequency

Nominal ATTN.(dB)	Frequency Range(GHz)			
	DC~4	DC~8	DC~12.4	DC~13
6	-0.8/-1.5	±1.5	±1.5	-1.5/+2.5
10	-0.5/+1.0	-1.5/+2.5	-1.5/+4.0	-1.5/+4.0
20	±1.0	±1.5	-1.5/+3.5	-1.5/+5.0
30	-1.0/+0.5	±1.0	±2.0	±2.0
40	±1.0	±1.0	±2.0	±2.0
VSWR(Max)	1.3	1.35	1.45	1.5

Dimensions[mm]

