

## FEATURES

- Low Contact Resistance
- Large Volume Data Transmission without Delay
- Long Lifetime

## APPLICATIONS

- Radar Antennas
- Satellite Communication Systems
- Medical Treatment Equipment
- Robotics



### Electrical Specifications[Rotary Joint]

Frequency	DC~3GHz
VSWR	1.7 max
VSWR Ripple	0.05 max
Insertion Loss	0.25dB@DC~1.5GHz 0.3dB@1.5~3GHz
Insertion Loss Ripple	0.05dB max
Phase WOW	1° max
Average Power	200W max@1.5GHz 150W max@3GHz
Peak Power	500W max
Protection Degree	IP 40 acc. EN 60529

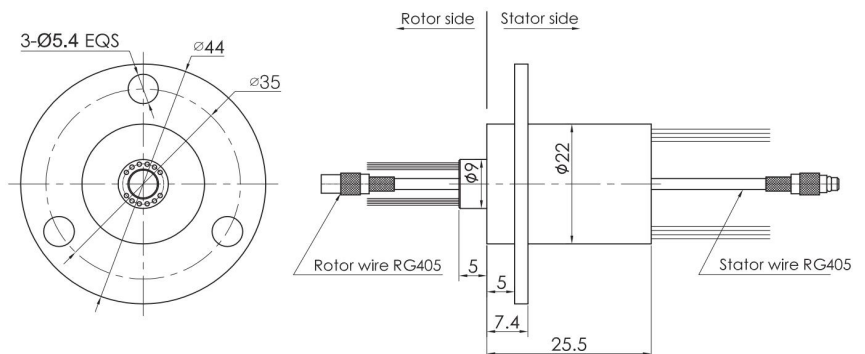
### Mechanical Specifications[Rotary Joint]

Connector Type	RG405(SMA, MCX, MMCX)
Working Life	10 Million Revs
Rotating Speed	250 rpm max
Starting Torque	0.5N.cm max
Rotating Torque	0.5N.cm max
Connector Axial Load	±0.1N max
Connector Radial Load	±0.1N max
Contact Material	PTFE
Operating Humidity	0~85%RH
Operating Temperature	-55°C~+85°C
Storage Temperature	-55°C~+85°C

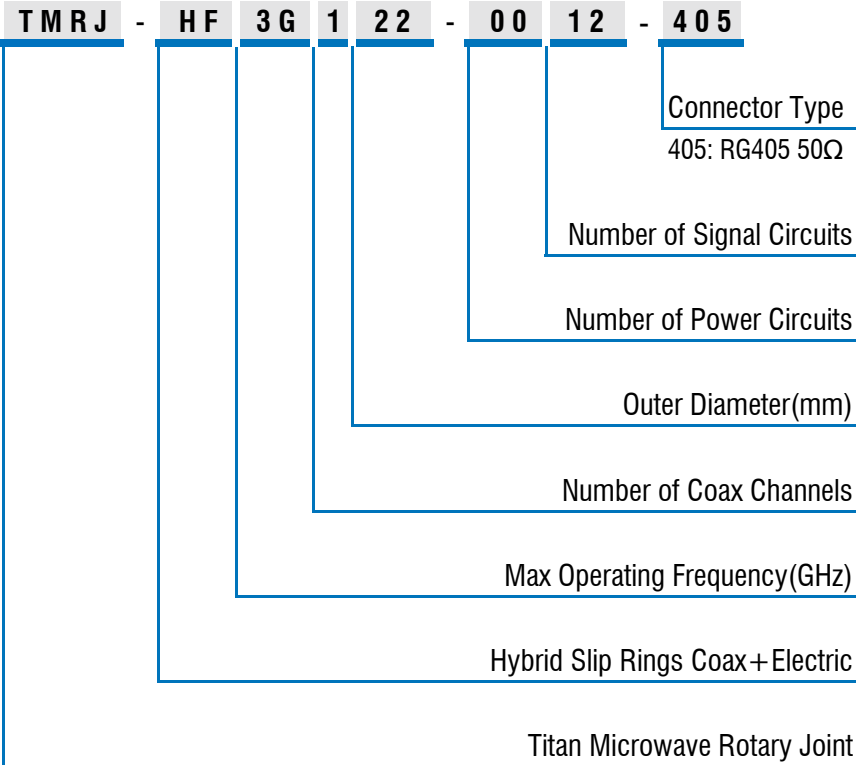
### Specifications[Slip Ring]

Voltage Range(power & signal)	0~240VAC/VDC
Insulation Resistance(power & signal)	≥300MΩ@300VDC
Lead Cable Size(power & signal)	AWG#26 Silver-plated teflon
Lead Cable Length	Standard 150mm(rotor/stator)
Dielectric Strength	300VAC@50Hz, 60s
Dielectric Noise	0.01Ω max
Working Life	10 Million Revs
Rotating Speed	250 rpm max
Contact Material	Gold-Gold
Housing Material	Plastic
Temperature	-30°C~+80°C
Operating Humidity	0~85%RH
Torque	0.05N.m+0.01N.m/6 channels
Protection Degree	IP51

### Dimensions[mm]



## Ordering Information



✧ Customization is available upon specific requests ✧