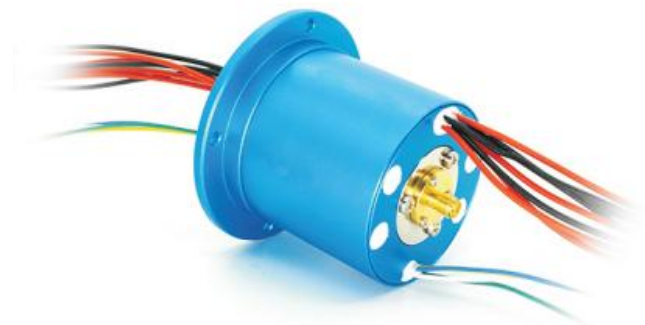


FEATURES

- Low Contact Resistance
- Large Volume Data Transmission without Delay
- Long Lifetime

APPLICATIONS

- Radar Antennas
- Satellite Communication Systems
- Medical Treatment Equipment
- Robotics



Electrical Specifications [Rotary Joint]

Frequency	DC~18GHz
VSWR	1.3 max@DC~10GHz 1.4 max@10~18GHz
VSWR Ripple	0.05 max
Insertion Loss	0.25dB@DC~10GHz 0.3dB@10~18GHz
Insertion Loss Ripple	0.05dB max
Phase WOW	1° max
Average Power	500W max@1GHz 200W max@6GHz 100W max@12GHz 30W max@18GHz
Peak Power	3000W max
Protection Degree	IP 40 acc. EN 60529

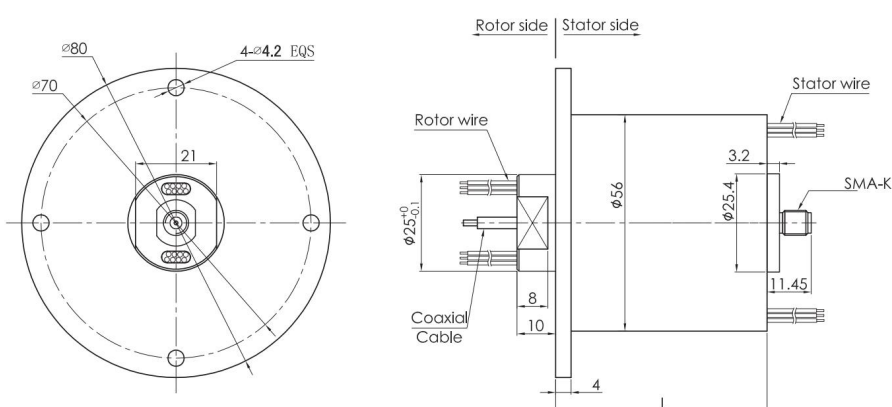
Mechanical Specifications [Rotary Joint]

Connector Type	SMA female
Working Life	10 Million Revs
Rotating Speed	250 rpm max
Starting Torque	0.5N.cm max
Rotating Torque	0.5N.cm max
Connector Axial Load	±0.1N max
Connector Radial Load	±0.1N max
Contact Material	PTFE
Operating Humidity	0~85%RH
Operating Temperature	-55°C~+85°C
Storage Temperature	-55°C~+85°C

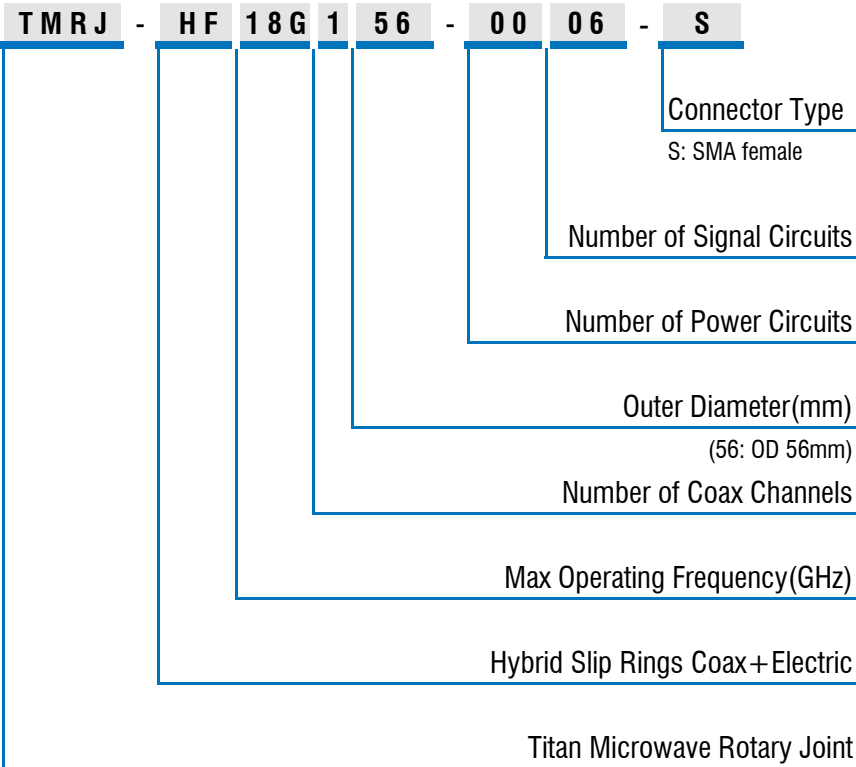
Specifications [Slip Ring]

Voltage Range(power)	0~440VAC/VDC
Voltage Range(signal)	0~240VAC/VDC
Insulation Resistance(power)	≥500MΩ@500VDC
Insulation Resistance(signal)	≥300MΩ@300VDC
Lead Cable Size(power)	AWG#17 Silver-plated teflon
Lead Cable Size(signal)	AWG#26 Silver-plated teflon
Lead Cable Length	Standard 250mm(rotor/stator)
Dielectric Strength	500VAC@50Hz, 60s
Dielectric Noise	0.01Ω max
Working Life	10 Million Revs
Rotating Speed	250 rpm max
Contact Material	Gold-Gold
Housing Material	Aluminum alloy
Temperature	-30°C~+80°C
Operating Humidity	0~85%RH
Torque	0.05N.m+0.01N.m/6 channels
Protection Degree	IP51

Dimensions [mm]



Ordering Information



✧ Customization is available upon specific requests ✧