

FEATURES

- Low Contact Resistance
- Large Volume Data Transmission without Delay
- Long Lifetime

APPLICATIONS

- Radar Antennas
- Satellite Communication Systems
- Medical Treatment Equipment
- Robotics



Electrical Specifications [Rotary Joint]

| | |
|-----------------------|---|
| Frequency | DC~18GHz |
| VSWR | 1.3 max@DC~10GHz 1.4 max@10~18GHz |
| VSWR Ripple | 0.05 max |
| Insertion Loss | 0.25dB@DC~10GHz 0.3dB@10~18GHz |
| Insertion Loss Ripple | 0.05dB max |
| Phase WOW | 1° max |
| Average Power | 500W max@1GHz 200W max@6GHz 100W max@12GHz 30W max@18GHz |
| Peak Power | 3kW max |
| Protection Degree | IP 40 acc. EN 60529 |

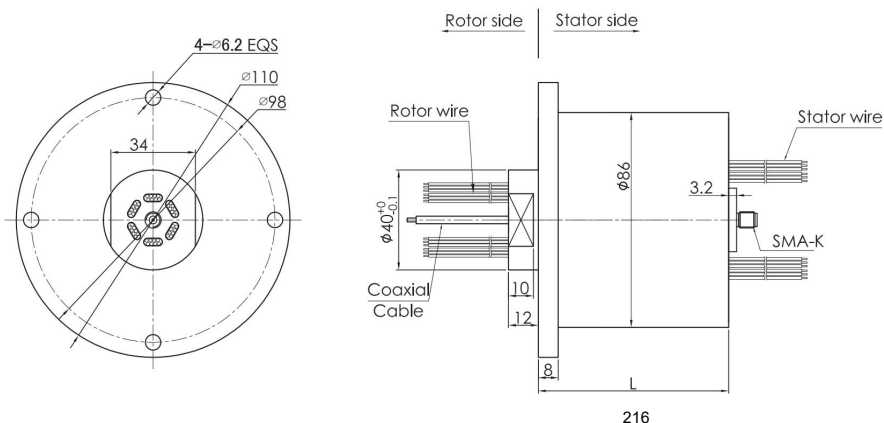
Mechanical Specifications [Rotary Joint]

| | |
|-----------------------|-----------------|
| Connector Type | SMA female |
| Working Life | 10 Million Revs |
| Rotating Speed | 250 rpm max |
| Starting Torque | 0.5N.cm max |
| Rotating Torque | 0.5N.cm max |
| Connector Axial Load | ±0.1N max |
| Connector Radial Load | ±0.1N max |
| Contact Material | PTFE |
| Operating Humidity | 0~85%RH |
| Operating Temperature | -55°C~+85°C |
| Storage Temperature | -55°C~+85°C |

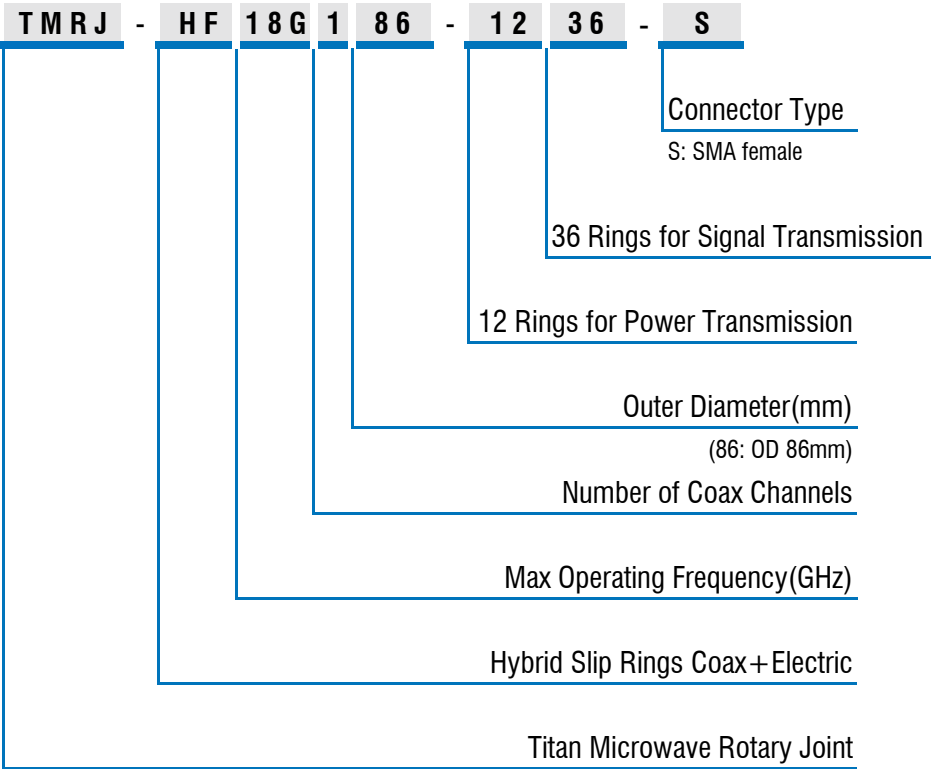
Specifications [Slip Ring]

| | |
|-------------------------------|------------------------------|
| Voltage Range(power) | 0~440VAC/VDC |
| Voltage Range(signal) | 0~240VAC/VDC |
| Insulation Resistance(power) | ≥500MΩ@500VDC |
| Insulation Resistance(signal) | ≥300MΩ@300VDC |
| Lead Cable Size(power) | AWG#17 Silver-plated teflon |
| Lead Cable Size(signal) | AWG#22 Silver-plated teflon |
| Lead Cable Length | Standard 250mm(rotor/stator) |
| Dielectric Strength | 300VAC@50Hz, 60s |
| Dielectric Noise | 0.01Ω max |
| Working Life | 10 Million Revs |
| Rotating Speed | 250 rpm max |
| Contact Material | Gold-Gold |
| Housing Material | Aluminum alloy |
| Temperature | -30°C~+80°C |
| Operating Humidity | 0~85%RH |
| Torque | 0.05N.m+0.01N.m/6 channels |
| Protection Degree | IP51 |

Dimensions [mm]



Ordering Information



✧ Customization is available upon specific requests ✧