

## FEATURES

- Low Contact Resistance
- Large Volume Data Transmission without Delay
- Long Lifetime

## APPLICATIONS

- Radar Antennas
- Satellite Communication Systems
- Medical Treatment Equipment
- Robotics



### Electrical Specifications[Rotary Joint]

|                       |                      |
|-----------------------|----------------------|
| Frequency             | DC~50GHz             |
| VSWR                  | 1.3 max@DC~10GHz     |
|                       | 1.4 max@10~18GHz     |
|                       | 1.7 max@26.5~50GHz   |
| VSWR Ripple           | 0.05 max@DC~26.5GHz  |
|                       | 0.2 max@26.5~50GHz   |
| Insertion Loss        | 1dB@DC~26.5GHz       |
|                       | 2dB@26.5~50GHz       |
| Insertion Loss Ripple | 0.3dB max@DC~10GHz   |
|                       | 0.5dB max@10~26.5GHz |
|                       | 0.9dB max@26.5~50GHz |
| Phase WOW             | 1° max               |
| Average Power         | 50W max@1GHz         |
|                       | 15W max@10GHz        |
|                       | 5W max@26.5GHz       |
|                       | 3W max@50GHz         |
| Peak Power            | 500W max             |
| Protection Degree     | IP 40 acc. EN 60529  |

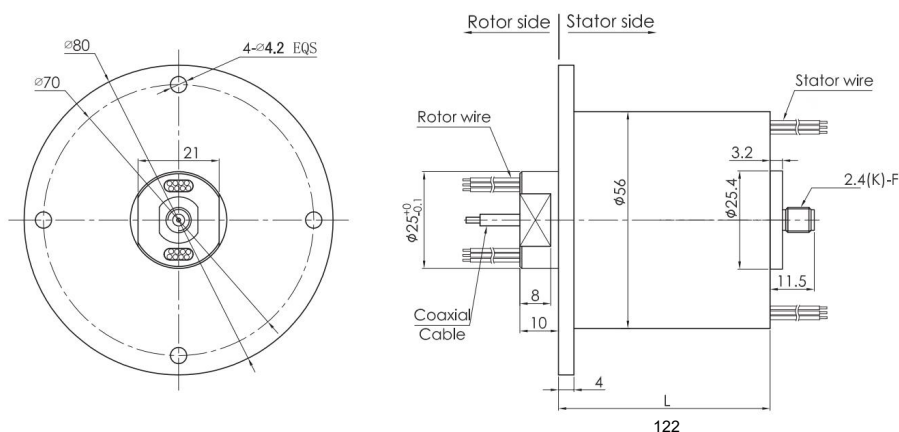
### Mechanical Specifications[Rotary Joint]

|                       |                 |
|-----------------------|-----------------|
| Connector Type        | 2.4mm female    |
| Working Life          | 10 Million Revs |
| Rotating Speed        | 150 rpm max     |
| Starting Torque       | 0.5N.cm max     |
| Rotating Torque       | 0.5N.cm max     |
| Connector Axial Load  | ±0.1N max       |
| Connector Radial Load | ±0.1N max       |
| Contact Material      | PTFE            |
| Operating Humidity    | 0~85%RH         |
| Operating Temperature | -55°C~+85°C     |
| Storage Temperature   | -55°C~+85°C     |

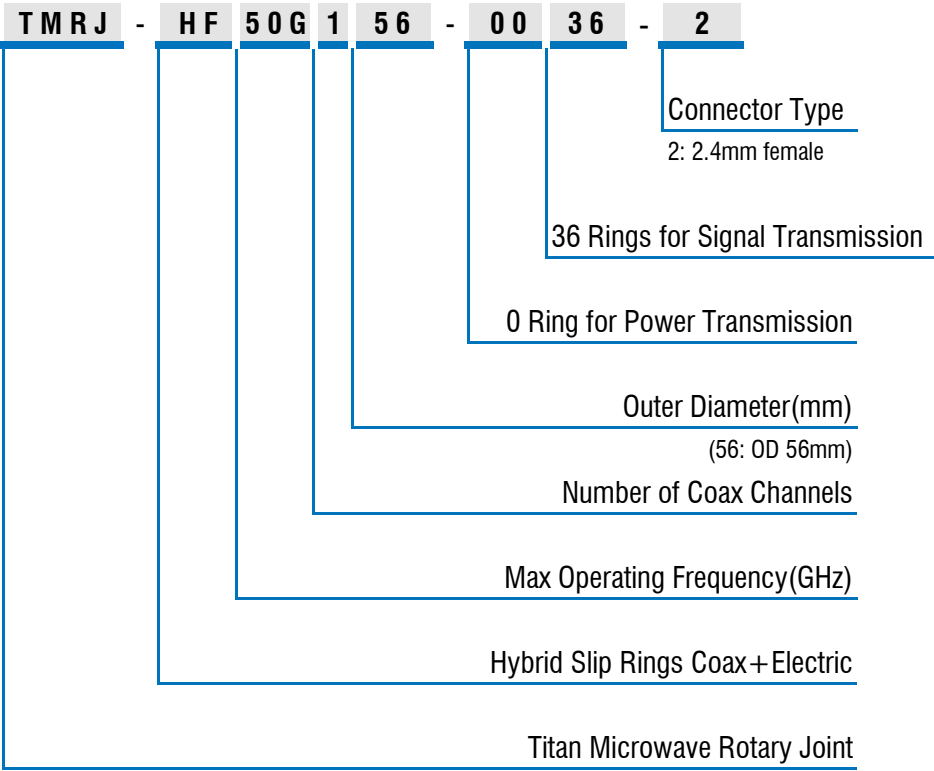
### Specifications[Slip Ring]

|                               |                              |
|-------------------------------|------------------------------|
| Voltage Range(power)          | 0~440VAC/VDC                 |
| Voltage Range(signal)         | 0~240VAC/VDC                 |
| Insulation Resistance(power)  | ≥500MΩ@500VDC                |
| Insulation Resistance(signal) | ≥300MΩ@300VDC                |
| Lead Cable Size(power)        | AWG#17 Silver-plated teflon  |
| Lead Cable Size(signal)       | AWG#22 Silver-plated teflon  |
| Lead Cable Length             | Standard 250mm(rotor/stator) |
| Dielectric Strength           | 300VAC@50Hz, 60s             |
| Dielectric Noise              | 0.01Ω max                    |
| Working Life                  | 10 Million Revs              |
| Rotating Speed                | 250 rpm max                  |
| Contact Material              | Gold-Gold                    |
| Housing Material              | Aluminum alloy               |
| Temperature                   | -30°C~+80°C                  |
| Operating Humidity            | 0~85%RH                      |
| Torque                        | 0.05N.m+0.01N.m/6 channels   |
| Protection Degree             | IP51                         |

### Dimensions[mm]



**Ordering Information**



◇ Customization is available upon specific requests ◇