

FEATURES

- Low Contact Resistance
- Large Volume Data Transmission without Delay
- Long Lifetime

APPLICATIONS

- Radar Antennas
- Satellite Communication Systems
- Medical Treatment Equipment
- Robotics

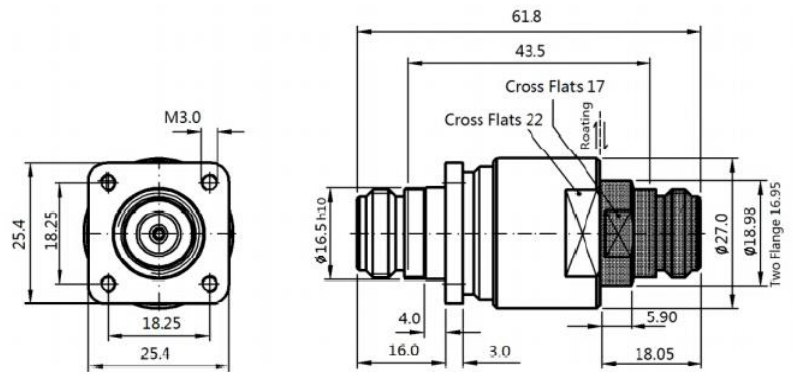
Electrical Specifications

Frequency	DC~26.5GHz
VSWR	1.3 max@DC~12GHz
	1.35 max@12~18GHz
	1.7 max@18~26.5GHz
VSWR Ripple	0.05 max
Insertion Loss	0.3dB@DC~12GHz
	0.35dB@12~18GHz
	0.7dB@18~26.5GHz
Insertion Loss Ripple	0.05dB max
Phase WOW	1° max
Average Power	200W max@1GHz
	50W max@18GHz
	30W max@26.5GHz
Peak Power	1.5kW max
Protection Degree	IP 40 acc. EN 60529

Mechanical Specifications

Connector Type	1.5-3.5 female
Connector Material	Gold plated brass
Working Life	5 Million Revs
Rotating Speed	500 rpm max
Starting Torque	2N.cm max
Rotating Torque	2N.cm max
Connector Axial Load	±2N max
Contact Material	PTFE
Operating Humidity	0~85%RH
Operating Temperature	-40°C~+70°C
Storage Temperature	-50°C~+70°C

Outline Drawings[mm]



◇ Customization is available upon specific requests ◇