

FEATURES

- Low Contact Resistance
- Large Volume Data Transmission without Delay
- Long Lifetime

APPLICATIONS

- Radar Antennas
- Satellite Communication Systems
- Medical Treatment Equipment
- Robotics



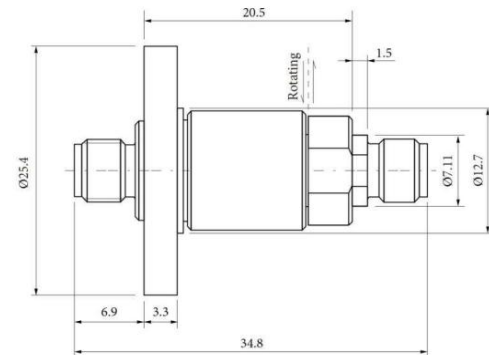
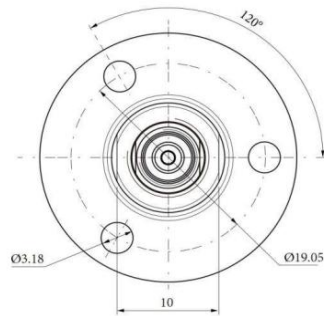
Electrical Specifications

Frequency	DC~40GHz
VSWR	1.3 max@DC~10GHz
	1.4 max@10~18GHz
	1.7 max@18~26.5GHz
	1.9 max@26.5~40GHz
VSWR Ripple	0.1 max
Insertion Loss	0.45dB@DC~18GHz
	0.95dB@18~26.5GHz
	1.25dB@26.5~40GHz
Insertion Loss Ripple	0.05dB max
Phase WOW	3° max
Average Power	40W max@DC~4GHz
	5W max@4~10GHz
	3W max@10~18GHz
	1W max@18~40GHz
Peak Power	300W max
Protection Degree	IP 60

Mechanical Specifications

Connector Type	2.92mm female
Connector Material	Gold plated brass
Working Life	10 Million Revs
Rotating Speed	500 rpm max
Starting Torque	2N.cm max
Rotating Torque	2N.cm max
Connector Axial Load	±2N max
Contact Material	PTFE
Operating Humidity	0~85%RH
Operating Temperature	-40°C~+70°C
Storage Temperature	-50°C~+70°C

Outline Drawings[mm]



◇ Customization is available upon specific requests ◇