

FEATURES

- Low Contact Resistance
- Large Volume Data Transmission without Delay
- Long Lifetime

APPLICATIONS

- Radar Antennas
- Satellite Communication Systems
- Medical Treatment Equipment
- Robotics



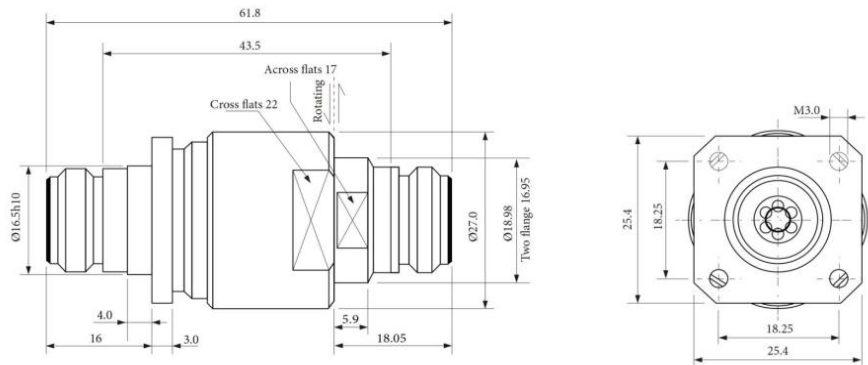
Electrical Specifications

Frequency	DC~18GHz
VSWR	1.06 max@DC~2GHz
	1.1 max@2~8GHz
	1.18 max@8~15GHz
	1.22 max@15~18GHz
VSWR Ripple	0.05 max
Insertion Loss	0.08dB@DC~2GHz
	0.12dB@2~8GHz
	0.15dB@8~15GHz
	0.2dB@15~18GHz
Insertion Loss Ripple	0.05dB max
Phase WOW	2° max
Average Power	200W max@1GHz
	100W max@2~8GHz
	75W max@8~15GHz
	70W max@15~18GHz
Peak Power	1kW max
Protection Degree	IP 54

Mechanical Specifications

Connector Type	N female
Connector Material	Gold plated brass
Working Life	5 Million Revs
Rotating Speed	300 rpm max
Starting Torque	30N.cm max
Rotating Torque	30N.cm max
Contact Material	PTFE
Operating Humidity	0~85%RH
Operating Temperature	-40°C~+60°C
Storage Temperature	-50°C~+70°C

Outline Drawings[mm]



◇ Customization is available upon specific requests ◇