

FEATURES

- Low Contact Resistance
- Large Volume Data Transmission without Delay
- Long Lifetime

APPLICATIONS

- Radar Antennas
- Satellite Communication Systems
- Medical Treatment Equipment
- Robotics



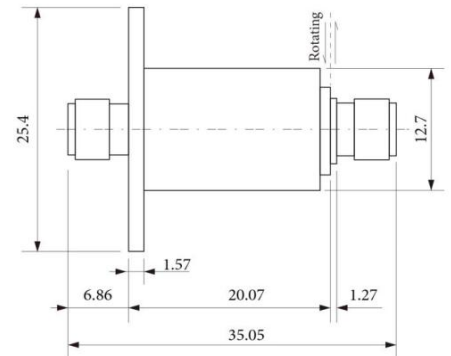
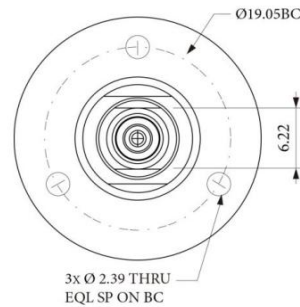
Electrical Specifications

Frequency	DC~40GHz
VSWR	1.4 max@DC~18GHz
	1.65 max@18~26.5GHz
	1.8 max@26.5~40GHz
VSWR Ripple	0.05 max@DC~26.5GHz
	0.1 max@26.5~40GHz
Insertion Loss	0.5dB@DC~18GHz
	0.75dB@18~26.5GHz
	1.0dB@26.5~40GHz
Insertion Loss Ripple	0.05dB max@DC~12GHz
	0.1dB max@12~40GHz
Phase WOW	1° max
Average Power	50W max@1GHz
Peak Power	500W max
Protection Degree	IP 40

Mechanical Specifications

Connector Type	2.92mm female
Connector Material	Gold plated brass
Working Life	15 Million Revs
Rotating Speed	500 rpm max
Starting Torque	2N.cm max
Rotating Torque	2N.cm max
Contact Material	PTFE
Operating Humidity	0~85%RH
Operating Temperature	-55°C~+85°C
Storage Temperature	-55°C~+85°C

Outline Drawings[mm]



◇ Customization is available upon specific requests ◇