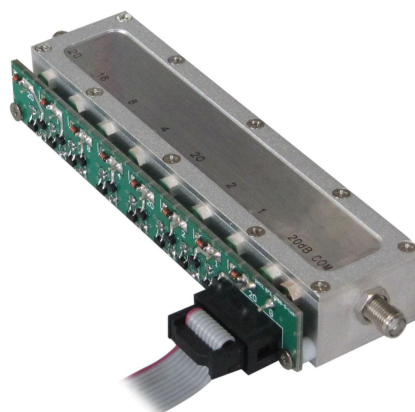


FEATURES

- Small Size
- High Accuracy
- High Stability

APPLICATIONS

- Laboratory Test and Measurement
- Wireless Communication



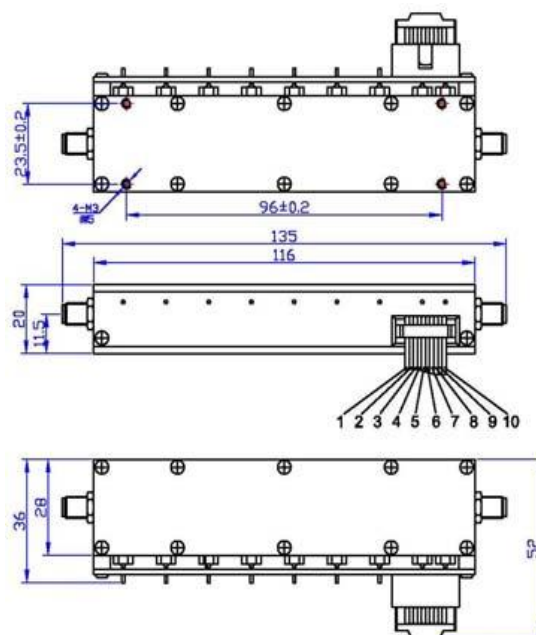
Electrical Specifications

Frequency Range	DC~5GHz
Impedance	50Ω nominal
Attenuation Range	0~103dB in 1dB steps
Attenuation Steps(dB)	1, 2, 4, 8, 16, 24, 24, 24
VSWR	1.5 max
Accuracy	±1.0dB@Attn≤10dB ±1.5dB@16/24dB
Insertion Loss	8.0dB max
Average Power	2W
Operating Voltage	+12Vdc
Operating Current	300mA
Driver Circuit	TTL Control (+3.3V~+5V)
Operating Temp.	-10°C~+50°C
Non-operating Temp.	-40°C~+70°C
RoHS Status	RoHS Compliant

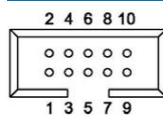
Mechanical Specifications

RF Connector	SMA female
Control Connector	10 PIN Ribbon Cable
Connector Body	Nickel Plated Brass
Female Pin	Gold Plated Beryllium Cooper
Housing	Aluminum, Nickel
Weight	160g
Size	135×52×20mm

Dimensions[mm]



Control Connector PIN Locations



PIN No.	1	2	3	4	5	6	7	8	9	10
dB, 8 Cells	1	2	4	8	16	24	24	24	+12V	GND