

## FEATURES

- Small Size
- High Accuracy
- High Stability

## APPLICATIONS

- Laboratory Test and Measurement
- Wireless Communication



## Electrical Specifications

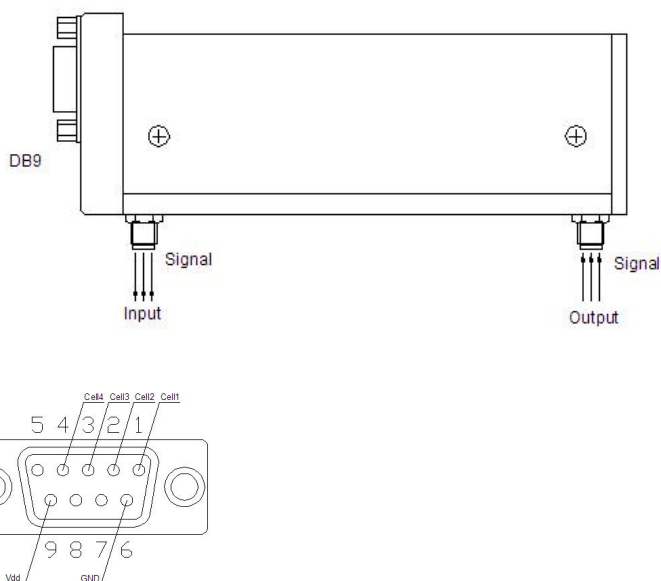
Frequency Range	DC~18GHz
Impedance	50Ω nominal
Attenuation Range	0~11dB in 1dB steps
Attenuation Steps(dB)	1, 4, 2, 4
VSWR	1.75 max
Insertion Loss(dB)	0.6+0.09/GHz
Accuracy	±1.0dB
Average Power	1W (100W pulse with 10μs width)
Operating Voltage	24V
Control Voltage	3.3V~5V (pulse width 50mS~1S)
Control Current	0.02~0.8mA
Source Operating Current	2A min
Switching Time	20mS max
Repeatability of Attenuation	0.05dB
Working Life	1 million cycles per cell
Operating Temp.	-20°C~+70°C
Storage Temp.	-55°C~+85°C
RoHS Status	RoHS Compliant

## Mechanical Specifications

RF Connector	SMA female
Control Connector	DB9
Connector Body	Nickel Plated Brass
Female Pin	Gold Plated Beryllium Cooper
Housing	Aluminum, Anodic Oxidation
Size	143.5×50×41.5mm
Weight	420g

◇ Test Data is available at an additional cost ◇

## Dimensions[mm]



## Control Connector PIN

Cells Value	Cell 1		Cell 2		Cell 3		Cell 4	
	Bypass	Attn. Steps	Bypass	Attn. Steps	Bypass	Attn. Steps	Bypass	Attn. Steps
4	0 dB	1 dB	0 dB	4 dB	0 dB	2 dB	0 dB	4 dB