

SPECIFICATIONS

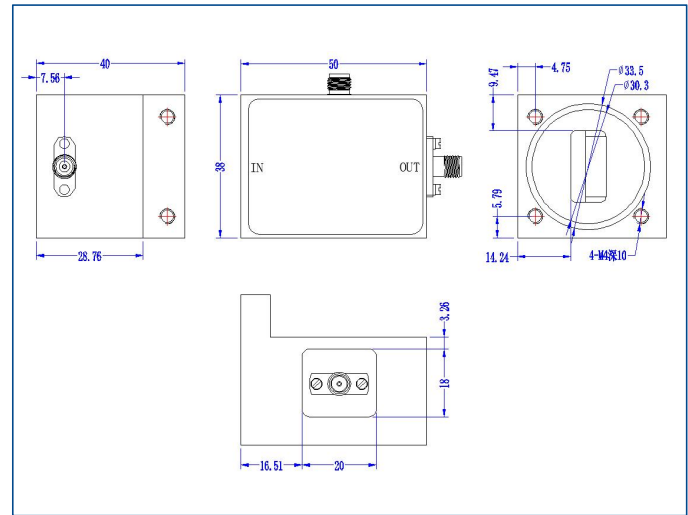
Frequency Range:	10.7~12.75 GHz
Gain	60dB min.
Gain Flatness	±2.0dB max.
Noise Figure	1.0dB max.
VSWR	2.0 max.
Output Power(P-1dB)	10dBm min.
Impedance	50Ω
Supply Voltage	+12V
Supply Current	300mA
Operating Temp.	-40°C~+85°C
Input Connector	SMA Female
Output Connector	WR75



50 Ohm Typical Characteristics

Freq. (GHz)	VSWR (S11)	VSWR (S22)	Small-Signal Gain (S21)	@1dB Compression (S21)	Noise Figure
Unit	:1	:1	dB	dBm	dB
10.70	1.92	1.40	62.14	14.68	0.68
10.85	1.97	1.44	61.62	14.66	0.72
10.99	1.98	1.51	61.50	14.64	0.86
11.14	1.97	1.58	61.31	14.66	0.95
11.29	1.89	1.71	61.49	14.68	0.90
11.43	1.78	1.81	61.97	14.80	0.87
11.58	1.67	1.68	61.97	15.07	0.81
11.73	1.61	1.57	61.70	15.00	0.89
11.87	1.60	1.46	61.35	14.98	0.98
12.02	1.59	1.39	61.17	15.20	1.02
12.16	1.58	1.41	60.94	15.46	1.00
12.31	1.53	1.41	60.69	15.30	0.97
12.46	1.47	1.50	60.59	15.47	0.96
12.60	1.39	1.65	60.84	15.50	1.00
12.75	1.29	1.75	61.25	15.46	1.05

Dimensions[mm]



Typical Performance Curve

