

Normally Open

❖ Features

- DC-53 GHz
- Low VSWR
- Low Loss
- High Isolation
- SMA(f) connectors
- 2.92mm(f) connectors
- 1.85mm(f) connectors

❖ RF Characteristics

Frequency	Ins. Loss	Isolation	VSWR	Average Power
GHz	dB	dB		W
DC~6	0.3	70	1.3	30
6~12	0.4	70	1.4	40
12~18	0.5	60	1.5	25
18~26.5	0.7	55	1.7	12
26.5~32	0.8	50	1.8	8
32~40	0.9	50	1.9	5
40~43	1.0	50	2.0	4
43~50	1.2	50	2.2	3
50~53	1.3	50	2.2	2

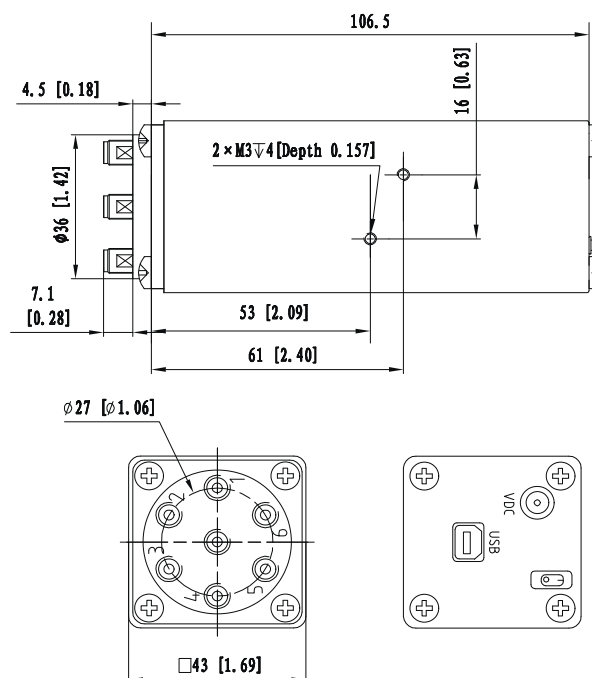
Operating Voltage/Current		12V
Current(mA)	Normally Open	300



❖ Specifications

Frequency Range	DC-53 GHz
Impedance	50 Ohms
Switching Sequence	Break Before Make
Switching Time	15mS max
Operating Life	2 million cycles
Shock, Non-operating	50G, 1/2 Sine, 11ms
Vibration, Operating	20-2000Hz, 10G RMS
RF Interface	SMA/2.92mm/1.85mm female
Control Connector	USB
Storage Temperature	-55°C~+85°C
Operating Temperature	-25°C~+65°C (Standard) -45°C~+85°C (Extended Temp. 1) -55°C~+85°C (Extended Temp. 2)
Weight	295g

❖ Outline Drawing [mm[inch]]



❖ Ordering Information

