

TMLA-35004500-1003-25 35-45 GHz, 10dB, P1dB 3dBm, N.F. 2.5dB

FEATURES

- ❖ Wide Band Operation 35-45 GHz
- ❖ Small Signal Gain 16dB Typical
- ❖ P1dB Output Power +5dBm Typical
- ❖ Supply Voltage +4V@87mA

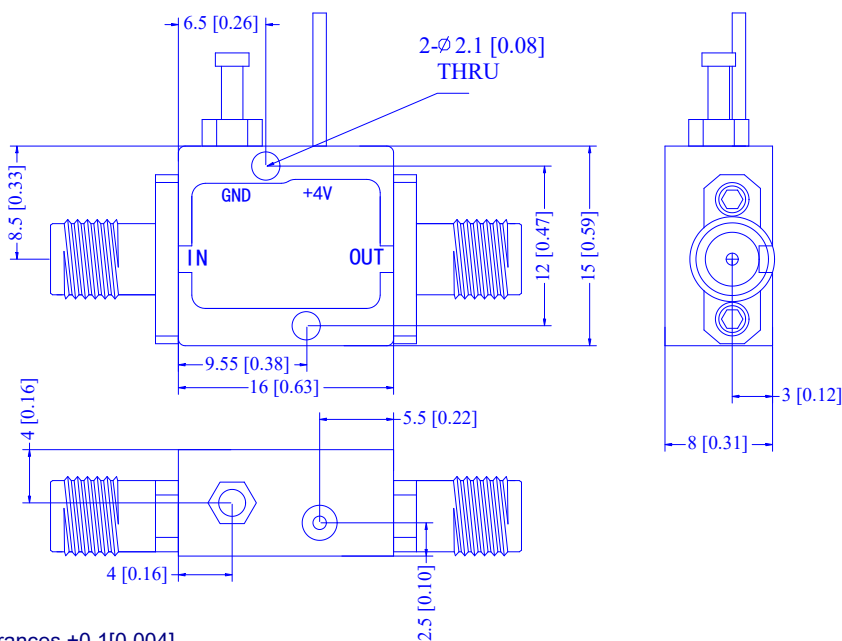
APPLICATIONS

- ❖ Wireless Infrastructure
- ❖ 5G Communication
- ❖ Test and Measurement Instrument

SPECIFICATIONS

Parameters	Min.	Typ.	Max.	Min.	Typ.	Max.	Units
Frequency Range	35	-	40	40	-	45	GHz
Impedance	-	50	-	-	50	-	Ohms
Gain	15	16	-	10	14	-	dB
Gain Flatness	-	±1.5	-	-	±2.0	-	dB
Gain Variation Over Temperature(-40°C~+85°C)	-	±1.5	-	-	±1.5	-	dB
Noise Figure	-	2.5	3.5	-	3.0	3.8	dB
Input VSWR	-	1.6	-	-	1.5	-	:1
Output VSWR	-	1.5	-	-	1.5	-	:1
Output 1dB Compression Point(P1dB)	3	5	-	4	6	-	dBm
Saturated Output Power(Psat)	-	7	-	-	9	-	dBm
Output 3rd Order Intercept(OIP3)	-	15	-	-	18	-	dBm
Supply Current(I _{dd}) (V _{cc} =+4V)	-	87	100	-	87	100	mA
Operating Temperature	-40°C~+85°C						
Storage Temperature	-50°C~+105°C						
Input/Output Connectors	2.92mm female						
Weight	10g max						
Surface Finishing	Gold Plated						
Material	Aluminum						

Outline Drawing [mm[inch]]



Tolerances ±0.1[0.004]

Absolute Maximum Ratings

Operating Voltage	+5.5V
RF Input Power(V _{cc} =+4V)	-5dBm

Note: *Heatsink required when operation, sell separately.*