

**TMLA-20003400-4012-20 20-34 GHz, 40dB, P1dB 12dBm, N.F. 2.0dB**

**FEATURES**

- ❖ Wide Band Operation 20-34 GHz
- ❖ Small Signal Gain 45dB Typical
- ❖ P1dB Output Power +18dBm Typical
- ❖ Supply Voltage +12V

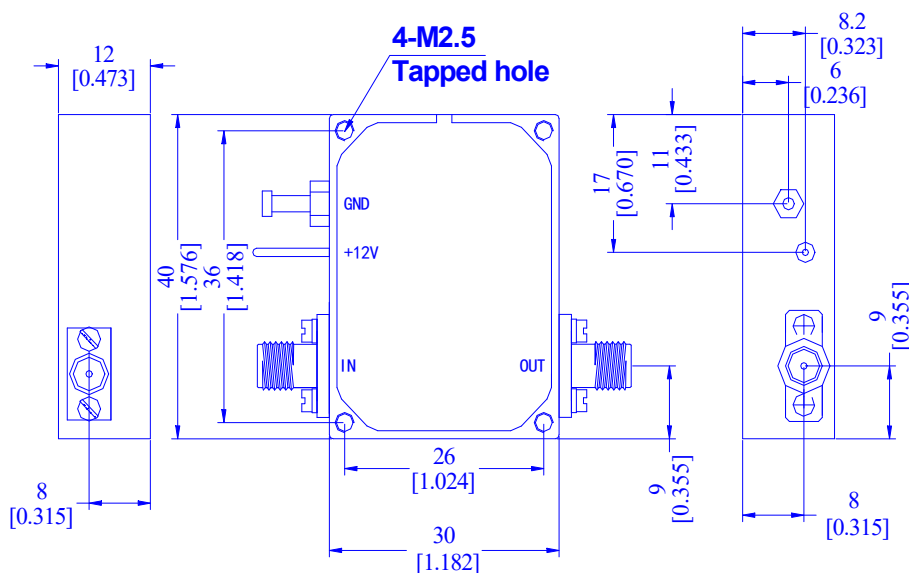
**APPLICATIONS**

- ❖ Wireless Infrastructure
- ❖ 5G Communication
- ❖ Test and Measurement Instrument

**SPECIFICATIONS**

| Parameters                                   | Min.          | Typ. | Max. | Min. | Typ. | Max. | Units |
|--|---------------|------|------|------|------|------|-------|
| Frequency Range                              | 20            | -    | 33   | 33   | -    | 34   | GHz   |
| Impedance                                    | -             | 50   | -    | -    | 50   | -    | Ohms  |
| Gain   | 40            | 45   | -    | -    | 38   | -    | dB    |
| Gain Flatness                                | -             | ±2.0 | -    | -    | ±2.0 | -    | dB    |
| Gain Variation Over Temperature(-40°C~+85°C) | -             | ±1.0 | -    | -    | ±1.0 | -    | dB    |
| Noise Figure                                 | -             | 2.0  | 2.8  | -    | 2.5  | -    | dB    |
| Input VSWR                                   | -             | 2.0  | 3.0  | -    | 3.5  | -    | :1    |
| Output VSWR                                  | -             | 2.0  | 3.0  | -    | 2.5  | -    | :1    |
| Output 1dB Compression Point(P1dB)           | 12            | 18   | -    | -    | 15   | -    | dBm   |
| Saturated Output Power(Psat)                 | -             | 22   | -    | -    | 20   | -    | dBm   |
| Output 3rd Order Intercept(OIP3)             | -             | 25   | -    | -    | 23   | -    | dBm   |
| Supply Current(Vcc=+12V)                     | -             | 200  | 300  | -    | 200  | 300  | mA    |
| Operating Temperature                        | -40°C~+85°C   |      |      |      |      |      |       |
| Storage Temperature                          | -50°C~+105°C  |      |      |      |      |      |       |
| Input/Output Connectors                      | 2.92mm female |      |      |      |      |      |       |
| Weight                                       | 40g max       |      |      |      |      |      |       |
| Surface Finishing                            | Gold Plated   |      |      |      |      |      |       |
| Material                                     | Aluminum      |      |      |      |      |      |       |

**Outline Drawing [mm[inch]]**



Tolerances ±0.1[0.004]

**Absolute Maximum Ratings**

|                   |       |
|-------------------|-------|
| Operating Voltage | +15V  |
| RF Input Power    | -6dBm |

Note: *Heatsink required when operation, sell separately.*