

TMLA-20005000-3515-25 20-50 GHz, 35dB, P1dB 15dBm, N.F. 2.5dB

FEATURES

- ❖ Wide Band Operation 20-50 GHz
- ❖ Small Signal Gain 43dB Typical
- ❖ P1dB Output Power +17dBm Typical
- ❖ Supply Voltage +12V

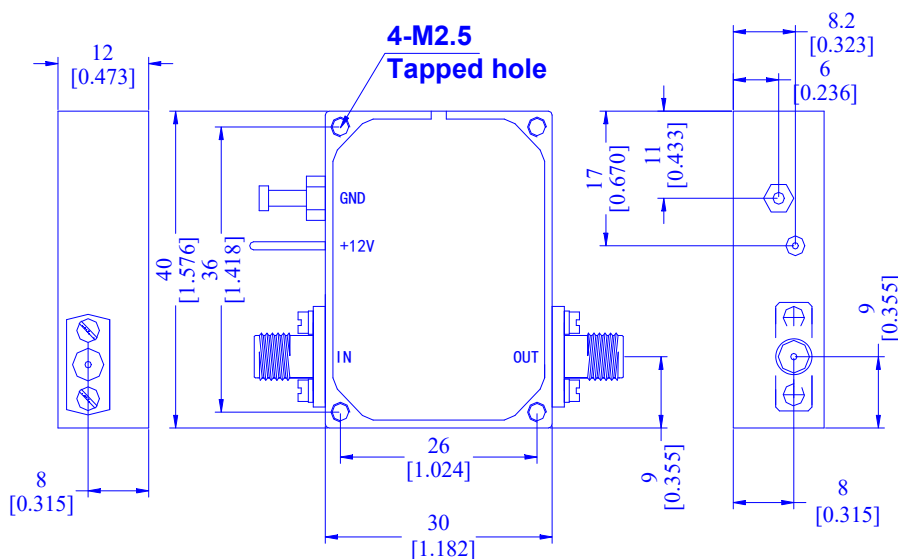
APPLICATIONS

- ❖ Wireless Infrastructure
- ❖ 5G Communication
- ❖ Test and Measurement Instrument

SPECIFICATIONS

Parameters	Min.	Typ.	Max.	Min.	Typ.	Max.	Units
Frequency Range	20	-	40	40	-	50	GHz
Impedance	-	50	-	-	50	-	Ohms
Gain	35	43	-	35	45	-	dB
Gain Flatness	-	±2.0	-	-	±3.0	-	dB
Gain Variation Over Temperature(-40°C~+85°C)	-	±2.0	-	-	±3.0	-	dB
Noise Figure	-	2.5	-	-	2.5	-	dB
Input VSWR	-	2.2	-	-	2.0	-	:1
Output VSWR	-	1.8	-	-	1.8	-	:1
Output 1dB Compression Point(P1dB)	15	17	-	15	17	-	dBm
Saturated Output Power(Psat)	-	18	-	-	17.5	-	dBm
Output 3rd Order Intercept(OIP3)	-	27	-	-	27	-	dBm
Supply Current(Vcc=+12V)	-	250	350	-	250	350	mA
Operating Temperature	-40°C~+85°C						
Storage Temperature	-50°C~+105°C						
Input/Output Connectors	2.4mm female						
Weight	45g max						
Surface Finishing	Gold Plated						
Material	Aluminum						

Outline Drawing [mm[inch]]



Tolerances ±0.1[0.004]

Absolute Maximum Ratings

Operating Voltage	+15V@25°C
RF Input Power	-5dBm@25°C

Note: *Heatsink required when operation, sell separately.*