

**TMDC-00400300-20N100 0.4-3 GHz, 20dB, 100W, N Female**

**FEATURES**

- ❖ Wide Band Operation 0.4-3 GHz
- ❖ High Power Handle Capability up to 100W
- ❖ 20 dB Typical Coupling
- ❖ Low Insertion Loss

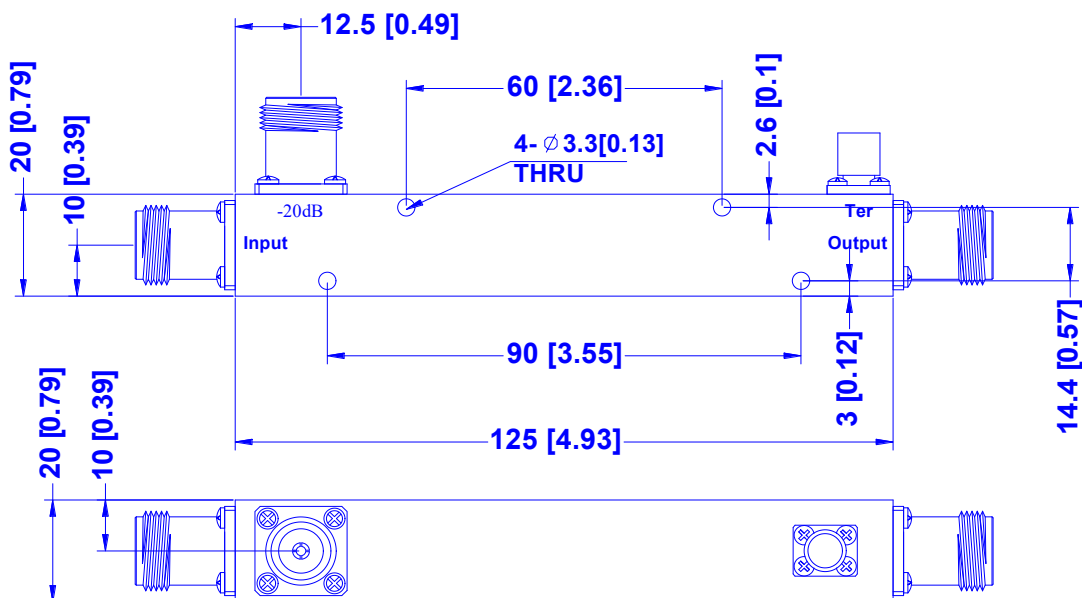
**APPLICATIONS**

- ❖ Frequency Measurements
- ❖ Signal Levelling, Signal Sampling
- ❖ Signal Injection
- ❖ Reflection Coefficient Measurements
- ❖ Measure incident and reflected power to determine VSWR

**SPECIFICATIONS**

Parameters	Min.	Typ.	Max.	Units
Frequency Range	0.4	-	3	GHz
Impedance	-	50	-	Ohms
Nominal Coupling	19	20	21	dB
Frequency Sensitivity	-	±0.7	±1.0	dB
Directivity	20	22	-	dB
Insertion Loss(Excluding Coupling)	-	-	0.35	dB
Insertion Loss(True)	-	0.3	0.4	dB
VSWR Primary	-	1.2	1.25	:1
VSWR Secondary	-	1.15	1.25	:1
Average Power	100			W
Peak Power	3			kW
Operating Temperature	-40°C~+85°C			
Storage Temperature	-50°C~+105°C			
Input/Output Connectors	N female			
Weight	200g max			
Surface Finishing	Gray Plated			
Material	Aluminum			

**Outline Drawing** [mm[inch]]



Tolerances ±0.5[0.02]