

**TMDC-00500600-10S50 0.5-6 GHz, 10dB, 50W, SMA Female**

**FEATURES**

- ❖ Wide Band Operation 0.5-6 GHz
- ❖ Power Handle Capability up to 50W
- ❖ 10 dB Typical Coupling
- ❖ Low Insertion Loss

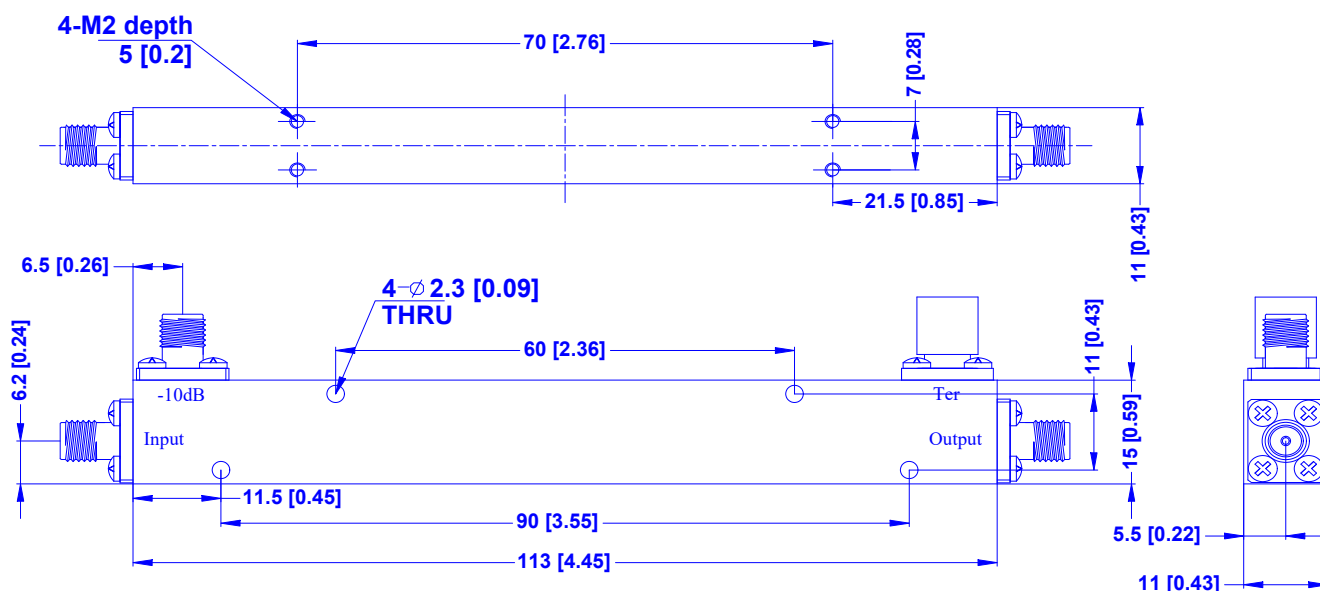
**APPLICATIONS**

- ❖ Frequency Measurements
- ❖ Signal Levelling, Signal Sampling
- ❖ Signal Injection
- ❖ Reflection Coefficient Measurements
- ❖ Measure incident and reflected power to determine VSWR

**SPECIFICATIONS**

Parameters	Min.	Typ.	Max.	Min.	Typ.	Max.	Units
Frequency Range	0.5	-	2	2	-	6	GHz
Impedance	-	50	-	-	50	-	Ohms
Nominal Coupling	9	10	11	9	10	11	dB
Frequency Sensitivity	-	±0.5	±0.7	-	±0.5	±0.7	dB
Directivity	20	22	-	18	20	-	dB
Insertion Loss(Excluding Coupling)	-	-	0.4	-	-	0.5	dB
Insertion Loss(True)	-	0.7	0.9	-	0.9	1.2	dB
VSWR Primary	-	1.18	1.2	-	1.18	1.2	:1
VSWR Secondary	-	1.15	1.2	-	1.15	1.2	:1
Average Power	50						W
Peak Power	1(1% Duty Cycle, 1μs Pulse Width)						kW
Operating Temperature	-40°C~+85°C						
Storage Temperature	-50°C~+105°C						
Input/Output Connectors	SMA female						
Weight	70g max						
Surface Finishing	Gray Paint						
Material	Aluminum						

**Outline Drawing [mm[inch]]**



Tolerances ±0.5[0.02]