

TMDC-00500600-30S50 0.5-6 GHz, 30dB, 50W, SMA Female

FEATURES

- ❖ Wide Band Operation 0.5-6 GHz
- ❖ High Power Handle Capability up to 50W
- ❖ 30 dB Nominal Coupling
- ❖ Low Insertion Loss

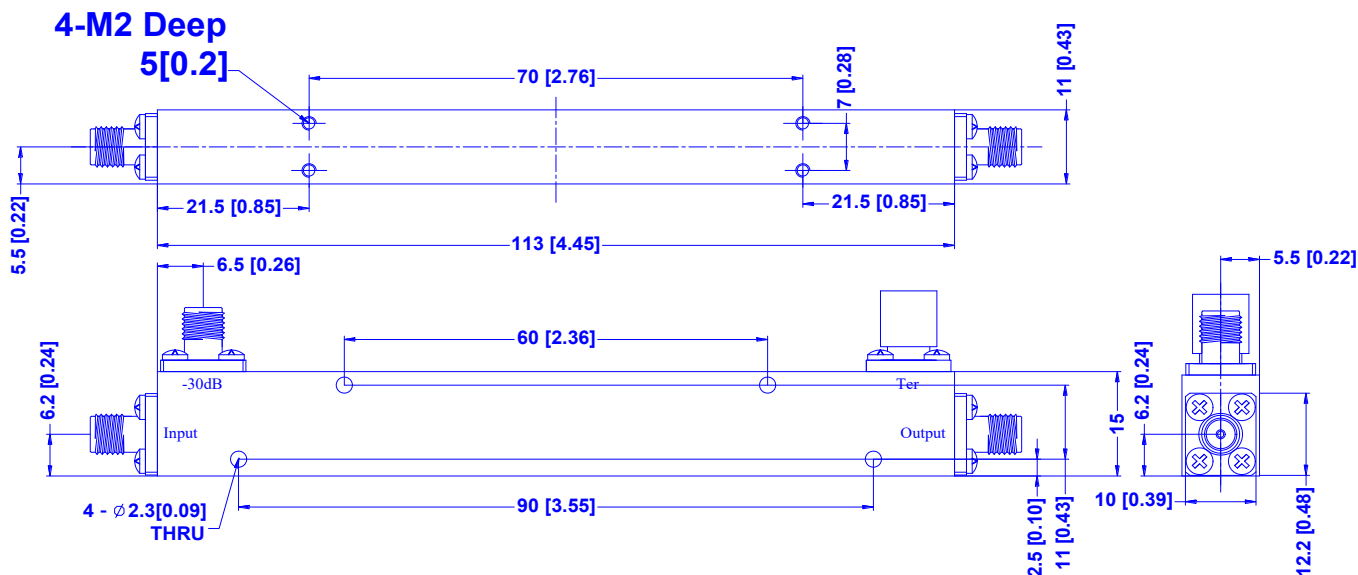
APPLICATIONS

- ❖ Frequency Measurements
- ❖ Signal Levelling, Signal Sampling
- ❖ Signal Injection
- ❖ Reflection Coefficient Measurements
- ❖ Measure incident and reflected power to determine VSWR

SPECIFICATIONS

Parameters	Min.	Typ.	Max.	Units
Frequency Range	0.5	-	6	GHz
Impedance	-	50	-	Ohms
Nominal Coupling	29	30	31.5	dB
Frequency Sensitivity	-	±0.6	±1.0	dB
Directivity	14	17	-	dB
Insertion Loss(Excluding Coupling)	-	-	0.5	dB
Insertion Loss(True)	-	0.35	0.55	dB
VSWR Primary	-	-	1.2	:1
VSWR Secondary	-	-	1.2	:1
Average Power		50		W
Peak Power		2		kW
Operating Temperature		-40°C~+85°C		
Storage Temperature		-50°C~+105°C		
Input/Output Connectors		SMA female		
Weight		60g max		
Surface Finishing		Gray Paint		
Material		Aluminum		

Outline Drawing [mm[inch]]



Tolerances ±0.5[0.02]