

TMDC-00501800-30S50 0.5-18 GHz, 30dB, 50W, SMA Female

FEATURES

- ❖ Wide Band Operation 0.5-18 GHz
- ❖ Power Handle Capability up to 50W
- ❖ 30 dB Typical Coupling
- ❖ Low Insertion Loss

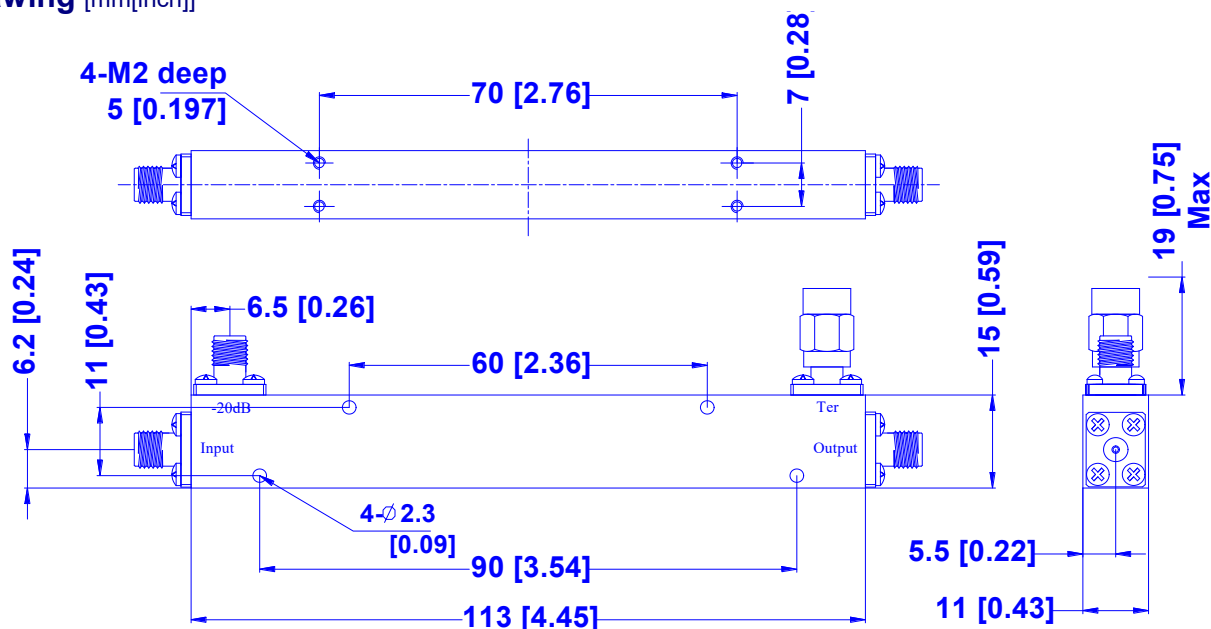
APPLICATIONS

- ❖ Frequency Measurements
- ❖ Signal Levelling, Signal Sampling
- ❖ Signal Injection
- ❖ Reflection Coefficient Measurements
- ❖ Measure incident and reflected power to determine VSWR

SPECIFICATIONS

Parameters	Min.	Typ.	Max.	Min.	Typ.	Max.	Units
Frequency Range	0.5	-	6	6	-	18	GHz
Impedance	-	50	-	-	50	-	Ohms
Nominal Coupling	29	30	31.5	29	30	31.5	dB
Frequency Sensitivity	-	±0.8	±1.0	-	±0.7	±1.0	dB
Directivity	12	14	-	10	12	-	dB
Insertion Loss(Excluding Coupling)	-	-	0.6	-	-	1.2	dB
Insertion Loss(True)	-	0.4	0.6	-	0.8	1.2	dB
VSWR Primary	-	1.3	1.5	-	1.3	1.5	:1
VSWR Secondary	-	1.3	1.5	-	1.4	1.5	:1
Average Power	50						W
Peak Power	500(10% Duty Cycle, 1μs Pulse Width)						W
Operating Temperature	-40°C~+85°C						
Storage Temperature	-50°C~+105°C						
Input/Output Connectors	SMA female						
Weight	70g max						
Surface Finishing	Gray Plated						
Material	Aluminum						

Outline Drawing [mm[inch]]



Tolerances ±0.5[0.02]