

TMDC-01002650-20S30 1-26.5 GHz, 20dB, 30W, SMA Female

FEATURES

- ❖ Wide Band Operation 1-26.5 GHz
- ❖ Power Handle Capability up to 30W
- ❖ 20 dB Typical Coupling
- ❖ Low Insertion Loss

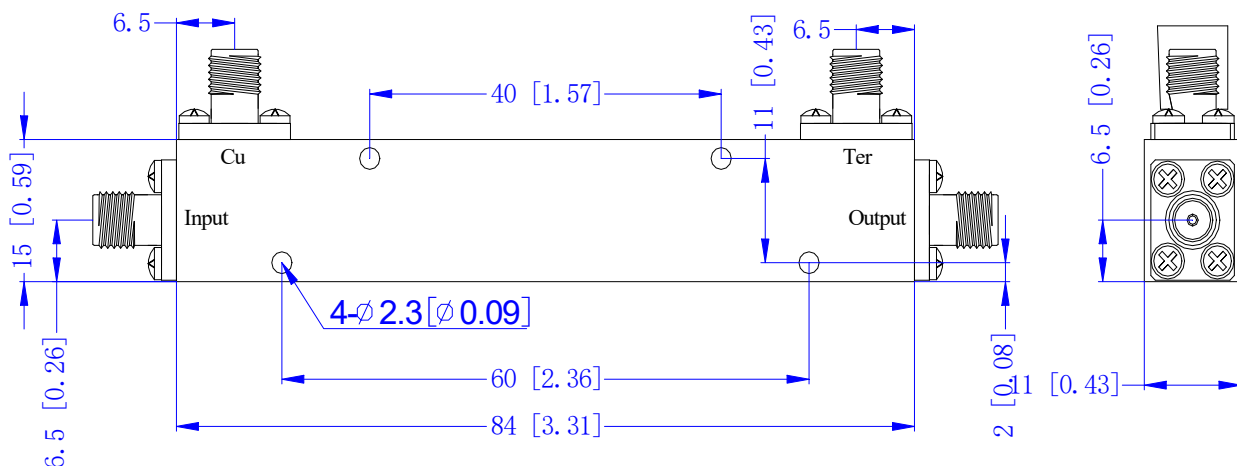
APPLICATIONS

- ❖ Frequency Measurements
- ❖ Signal Levelling, Signal Sampling
- ❖ Signal Injection
- ❖ Reflection Coefficient Measurements
- ❖ Measure incident and reflected power to determine VSWR

SPECIFICATIONS

Parameters	Min.	Typ.	Max.	Units
Frequency Range	1	-	26.5	GHz
Impedance	-	50	-	Ohms
Nominal Coupling	18.5	20	21.5	dB
Frequency Sensitivity	-	-	±1.0	dB
Directivity	10	-	-	dB
Insertion Loss(Excluding Coupling)	-	-	2.2	dB
Insertion Loss(True)	-	-	-	dB
VSWR Primary	-	1.24	1.7	:1
VSWR Secondary	-	1.24	1.7	:1
Average Power	30			W
Peak Power	-			kW
Operating Temperature	-45°C~+85°C			
Storage Temperature	-50°C~+105°C			
Input/Output Connectors	SMA female			
Weight	50g max			
Surface Finishing	Black Plated			
Material	Aluminum			

Outline Drawing [mm[inch]]



Tolerances ±0.5[0.02]