

**TMDC-01006700-10V20 1-67 GHz, 10dB, 20W, 1.85mm Female**

**FEATURES**

- ❖ Wide Band Operation 1-67 GHz
- ❖ Power Handle Capability up to 20W
- ❖ 10 dB Typical Coupling
- ❖ Low Insertion Loss

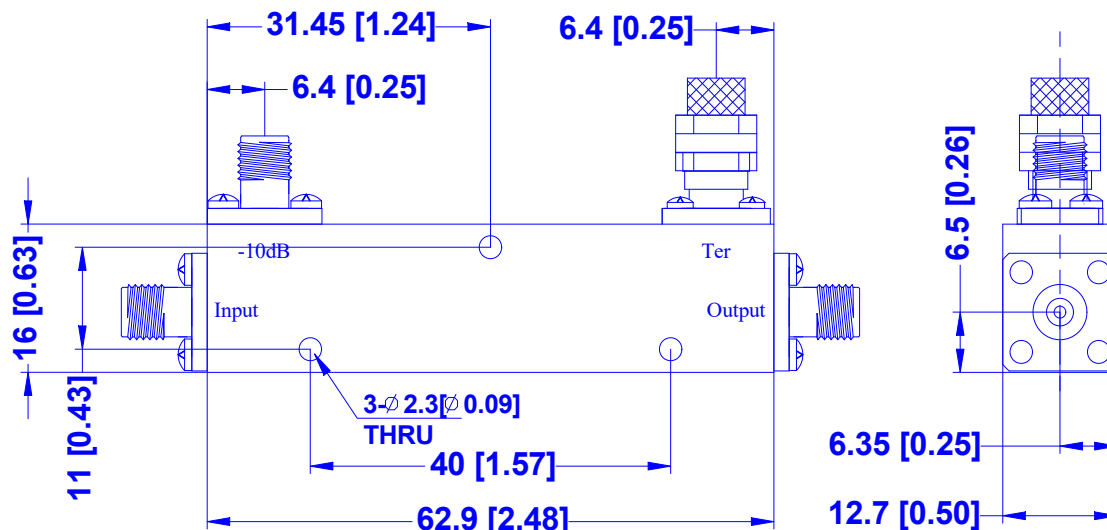
**APPLICATIONS**

- ❖ Frequency Measurements
- ❖ Signal Levelling, Signal Sampling
- ❖ Signal Injection
- ❖ Reflection Coefficient Measurements
- ❖ Measure incident and reflected power to determine VSWR

**SPECIFICATIONS**

Parameters	Min.	Typ.	Max.	Min.	Typ.	Max.	Min.	Typ.	Max.	Units
Frequency Range	1	-	18	18	-	40	40	-	67	GHz
Impedance	-	50	-	-	50	-	-	50	-	Ohms
Nominal Coupling	9	10.5	13	10	11.5	12.5	10	12.5	13.5	dB
Frequency Sensitivity	-	±1.0	±1.5	-	±0.5	±0.7	-	±1.0	±1.5	dB
Directivity	15	16	-	10	12	-	8	10	-	dB
Insertion Loss(Excluding Coupling)	-	-	1.3	-	-	2.5	-	-	3.5	dB
Insertion Loss(True)	-	1.5	1.8	-	2.2	2.8	-	3.5	4.0	dB
VSWR Primary	-	1.3	1.5	-	1.4	1.6	-	1.5	1.7	:1
VSWR Secondary	-	1.3	1.5	-	1.4	1.6	-	1.5	1.7	:1
Average Power	20									W
Peak Power	200(10% Duty Cycle, 1μs Pulse Width)									W
Operating Temperature	-40°C~+85°C									
Storage Temperature	-50°C~+105°C									
Input/Output Connectors	1.85mm female(Stainless Steel)									
Weight	60g max									
Surface Finishing	Gray Paint									
Material	Aluminum									

**Outline Drawing [mm[inch]]**



Tolerances ±0.5[0.02]