

TMDC-01006700-20V20 1-67 GHz, 20dB, 20W, 1.85mm Female

FEATURES

- ❖ Wide Band Operation 1-67 GHz
- ❖ Power Handle Capability up to 20W
- ❖ 20 dB Typical Coupling
- ❖ Low Insertion Loss

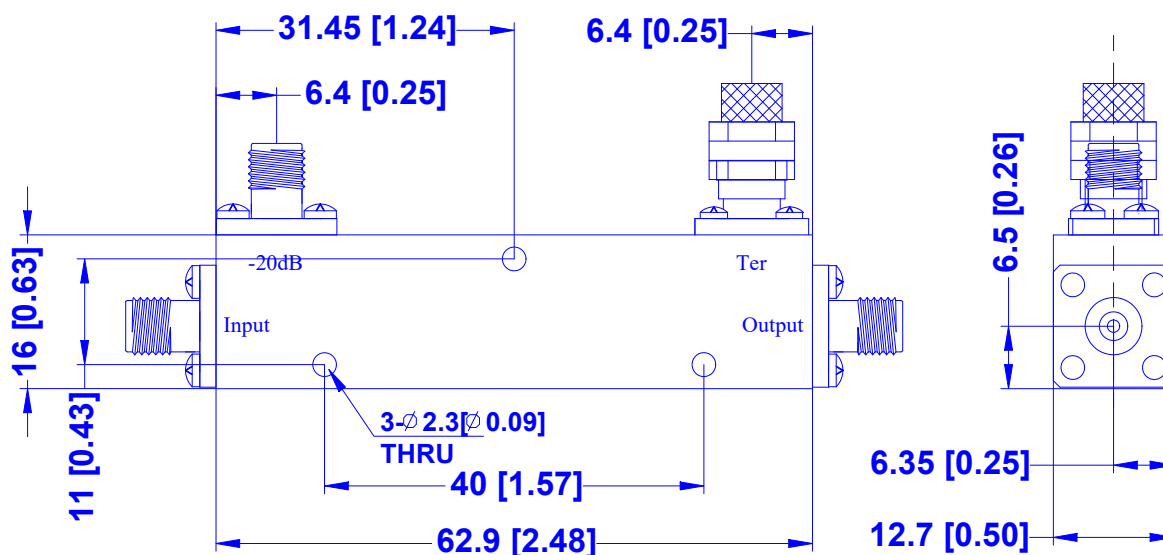
APPLICATIONS

- ❖ Frequency Measurements
- ❖ Signal Levelling, Signal Sampling
- ❖ Signal Injection
- ❖ Reflection Coefficient Measurements
- ❖ Measure incident and reflected power to determine VSWR

SPECIFICATIONS

Parameters	Min.	Typ.	Max.	Min.	Typ.	Max.	Min.	Typ.	Max.	Units
Frequency Range	1	-	18	18	-	40	40	-	67	GHz
Impedance	-	50	-	-	50	-	-	50	-	Ohms
Nominal Coupling	19	20.5	23.5	19	21	22	19	22	23	dB
Frequency Sensitivity	-	±1.0	-	-	±0.7	-	-	±1.0	-	dB
Directivity	15	16	-	10	12	-	8	10	-	dB
Insertion Loss(Excluding Coupling)	-	-	1.5	-	-	2.0	-	-	2.5	dB
Insertion Loss(True)	-	1.2	2.0	-	2.0	2.5	-	3.1	3.5	dB
VSWR Primary	-	1.3	1.5	-	1.4	1.6	-	1.5	1.7	:1
VSWR Secondary	-	1.3	1.5	-	1.4	1.6	-	1.5	1.7	:1
Average Power	20									W
Peak Power	300(10% Duty Cycle, 1µs Pulse Width)									W
Operating Temperature	-40°C~+85°C									
Storage Temperature	-50°C~+105°C									
Input/Output Connectors	1.85mm female									
Weight	60g max									
Surface Finishing	Gray Paint									
Material	Aluminum									

Outline Drawing [mm[inch]]



Tolerances ±0.5[0.02]