

TMDC-01500450-20S50 1.5-4.5 GHz, 20dB, 50W, SMA Female

FEATURES

- ❖ Wide Band Operation 1.5-4.5 GHz
- ❖ Power Handle Capability up to 50W
- ❖ 20 dB Typical Coupling
- ❖ Low Insertion Loss

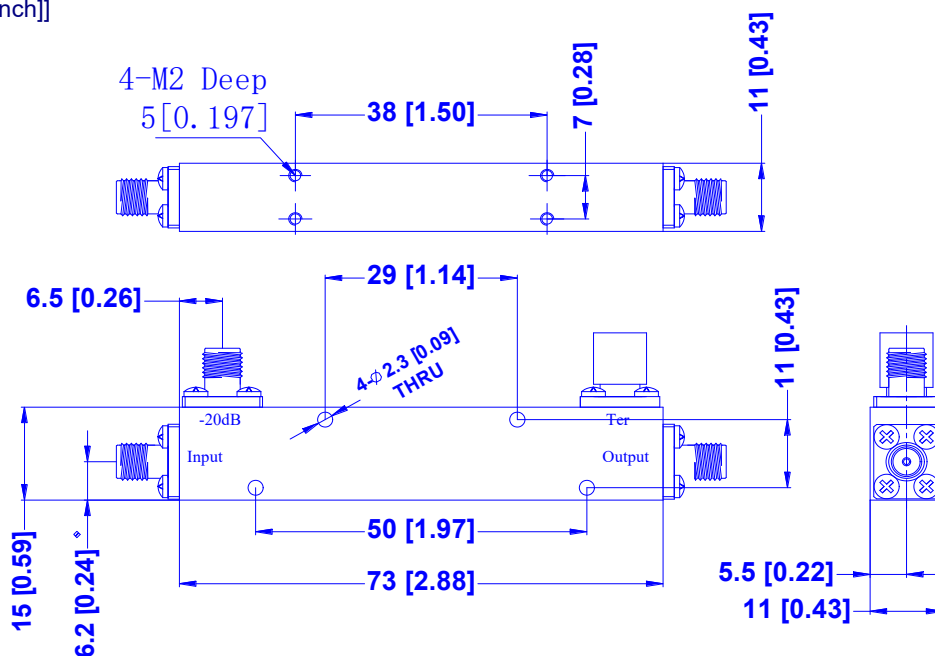
APPLICATIONS

- ❖ Frequency Measurements
- ❖ Signal Levelling, Signal Sampling
- ❖ Signal Injection
- ❖ Reflection Coefficient Measurements
- ❖ Measure incident and reflected power to determine VSWR

SPECIFICATIONS

Parameters	Min.	Typ.	Max.	Units
Frequency Range	1.5	-	4.5	GHz
Impedance	-	50	-	Ohms
Nominal Coupling	19	20	21	dB
Frequency Sensitivity	-	-	±0.7	dB
Directivity	20	22	-	dB
Insertion Loss(Excluding coupled power)	-	-	0.3	dB
Insertion Loss(True)	-	0.25	0.4	dB
VSWR Primary	-	-	1.2	:1
VSWR Secondary	-	-	1.2	:1
Average Power	50			W
Peak Power	1			kW
Operating Temperature	-40°C~+85°C			
Storage Temperature	-50°C~+105°C			
Input/Output Connectors	SMA female			
Weight	50g max			
Surface Finishing	Gray Paint			
Material	Aluminum			

Outline Drawing [mm[inch]]



Tolerances ±0.5[0.02]