

TMDC-02000300-30N50 2-3 GHz, 30dB, 50W, N Female

FEATURES

- ❖ Wide Band Operation 2-3 GHz
- ❖ Power Handle Capability up to 50W
- ❖ 30 dB Typical Coupling
- ❖ Low Insertion Loss

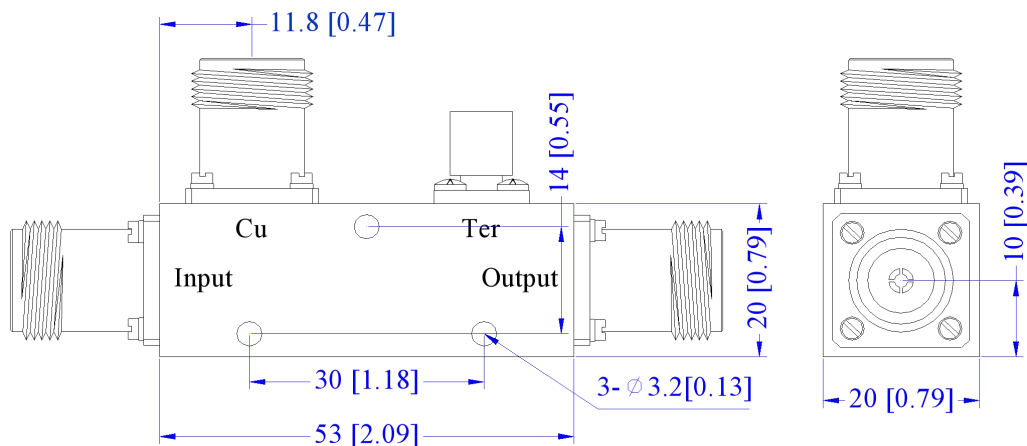
APPLICATIONS

- ❖ Frequency Measurements
- ❖ Signal Levelling, Signal Sampling
- ❖ Signal Injection
- ❖ Reflection Coefficient Measurements
- ❖ Measure incident and reflected power to determine VSWR

SPECIFICATIONS

Parameters	Min.	Typ.	Max.	Units
Frequency Range	2	-	3	GHz
Impedance	-	50	-	Ohms
Nominal Coupling	29	30	31	dB
Frequency Sensitivity	-	-	±1.0	dB
Directivity	20	22	-	dB
Insertion Loss(Excluding coupled power)	-	-	0.5	dB
Insertion Loss(True)	-	-	-	dB
VSWR Primary	-	-	1.25	:1
VSWR Secondary	-	-	1.25	:1
Average Power	50			W
Peak Power	-			kW
Operating Temperature	-45°C~+85°C			
Storage Temperature	-50°C~+105°C			
Input/Output Connectors	N female			
Size	53mm×20mm×20mm			
Surface Finishing	Gray Paint			
Material	Aluminum			

Outline Drawing [mm[inch]]



Tolerances ±0.5[0.02]