

TMDC-02000600-7N10 2-6 GHz, 7dB, 10W, N Female

FEATURES

- ❖ Wide Band Operation 2-6 GHz
- ❖ Power Handle Capability up to 10W
- ❖ 7 dB Typical Coupling
- ❖ Low Insertion Loss

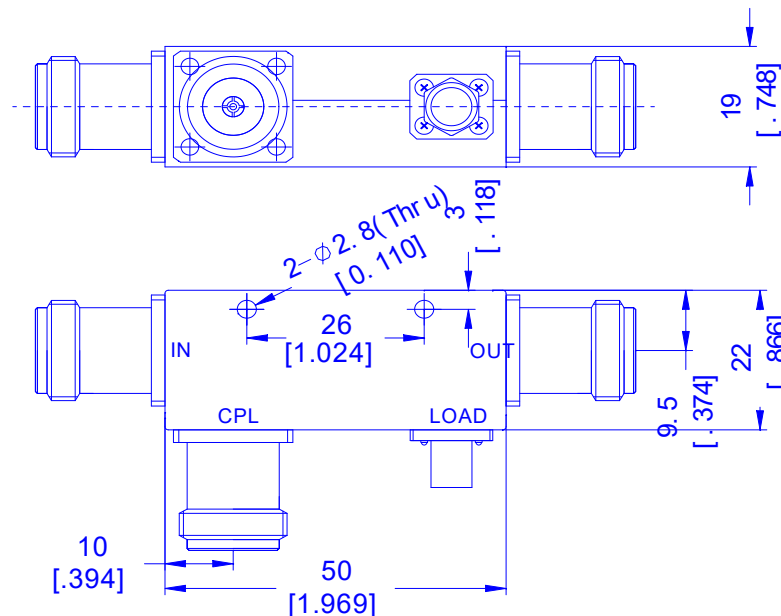
APPLICATIONS

- ❖ Frequency Measurements
- ❖ Signal Levelling, Signal Sampling
- ❖ Signal Injection
- ❖ Reflection Coefficient Measurements
- ❖ Measure incident and reflected power to determine VSWR

SPECIFICATIONS

Parameters	Min.	Typ.	Max.	Units
Frequency Range	2	-	6	GHz
Impedance	-	50	-	Ohms
Nominal Coupling	6	7	8	dB
Frequency Sensitivity	-	-	±1.0	dB
Directivity	15	-	-	dB
Insertion Loss(Excluding coupled power)	-	-	2.0	dB
Insertion Loss(True)	-	-	-	dB
VSWR Primary	-	-	1.5	:1
VSWR Secondary	-	-	1.5	:1
Average Power	10			W
Peak Power	-			kW
Operating Temperature	-40°C~+70°C			
Storage Temperature	-50°C~+105°C			
Input/Output Connectors	N female			
Weight	110g			
Surface Finishing	Gray Paint			
Material	Aluminum			

Outline Drawing [mm[inch]]



Tolerances ±0.5[0.02]