

**TMDC-02000600-30N150 2-6 GHz, 30dB, 150W, N Female**

**FEATURES**

- ❖ Wide Band Operation 2-6 GHz
- ❖ Power Handle Capability up to 150W
- ❖ 30 dB Typical Coupling
- ❖ Low Insertion Loss

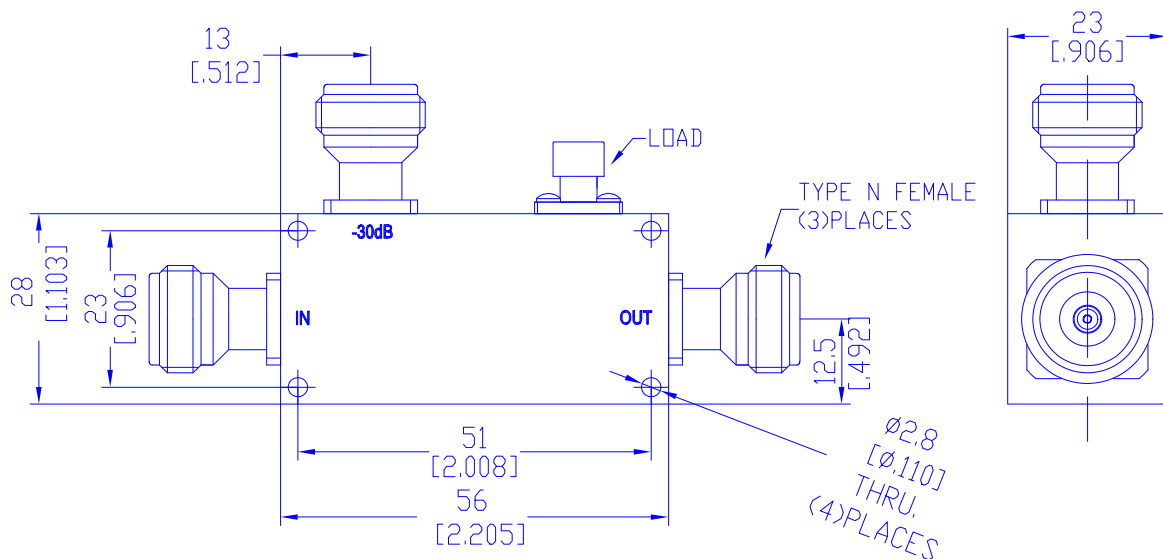
**APPLICATIONS**

- ❖ Frequency Measurements
- ❖ Signal Levelling, Signal Sampling
- ❖ Signal Injection
- ❖ Reflection Coefficient Measurements
- ❖ Measure incident and reflected power to determine VSWR

**SPECIFICATIONS**

Parameters	Min.	Typ.	Max.	Units
Frequency Range	2	-	6	GHz
Impedance	-	50	-	Ohms
Nominal Coupling	29	30	31	dB
Frequency Sensitivity	-	-	±0.8	dB
Directivity	16	-	-	dB
Insertion Loss(Excluding coupled power)	-	-	0.5	dB
Insertion Loss(True)	-	-	-	dB
VSWR Primary	-	-	1.35	:1
VSWR Secondary	-	-	1.35	:1
Average Power	150			W
Peak Power	-			kW
Operating Temperature	-40°C~+85°C			
Storage Temperature	-50°C~+105°C			
Input/Output Connectors	N female			
Weight	180g			
Surface Finishing	Gray Paint			
Material	Aluminum			

**Outline Drawing** [mm[inch]]



Tolerances ±0.5[0.02]