

TMDC-02001800-20N50 2-18 GHz, 20dB, 50W, N Female

FEATURES

- ❖ Wide Band Operation 2-18 GHz
- ❖ Power Handle Capability up to 50W
- ❖ 20 dB Typical Coupling
- ❖ Low Insertion Loss

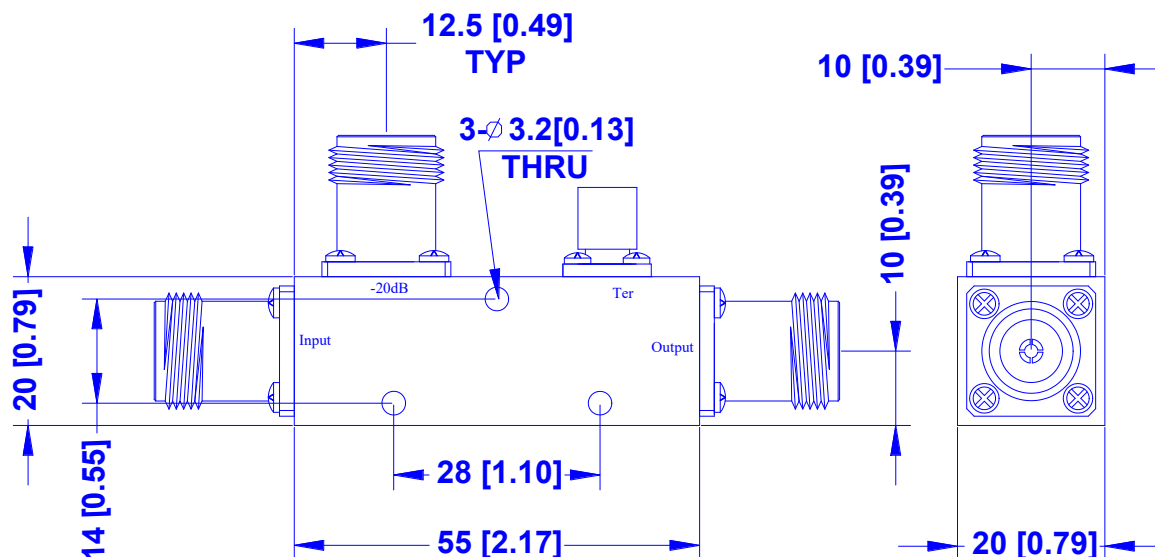
APPLICATIONS

- ❖ Frequency Measurements
- ❖ Signal Levelling, Signal Sampling
- ❖ Signal Injection
- ❖ Reflection Coefficient Measurements
- ❖ Measure incident and reflected power to determine VSWR

SPECIFICATIONS

Parameters	Min.	Typ.	Max.	Min.	Typ.	Max.	Units
Frequency Range	2	-	8	8	-	18	GHz
Impedance	-	50	-	-	50	-	Ohms
Nominal Coupling	19	20	21	19	20	21	dB
Frequency Sensitivity	-	±0.7	±1.0	-	±0.5	±0.7	dB
Directivity	18	20	-	12	14	-	dB
Insertion Loss(Excluding Coupling)	-	0.25	0.4	-	0.3	0.5	dB
Insertion Loss(True)	-	-	-	-	-	-	dB
VSWR Primary	-	1.2	1.3	-	1.4	1.5	:1
VSWR Secondary	-	1.2	1.3	-	1.4	1.5	:1
Average Power	50						W
Peak Power	500						W
Operating Temperature	-40°C~+85°C						
Storage Temperature	-50°C~+105°C						
Input/Output Connectors	N female						
Weight	120g max						
Surface Finishing	Gray Plated						
Material	Aluminum						

Outline Drawing [mm[inch]]



Tolerances ±0.5[0.02]