

TMDC-02004000-20K30 2-40 GHz, 20dB, 30W, 2.92mm Female

FEATURES

- ❖ Wide Band Operation 2-40 GHz
- ❖ Power Handle Capability up to 30W
- ❖ 20 dB Typical Coupling
- ❖ Low Insertion Loss

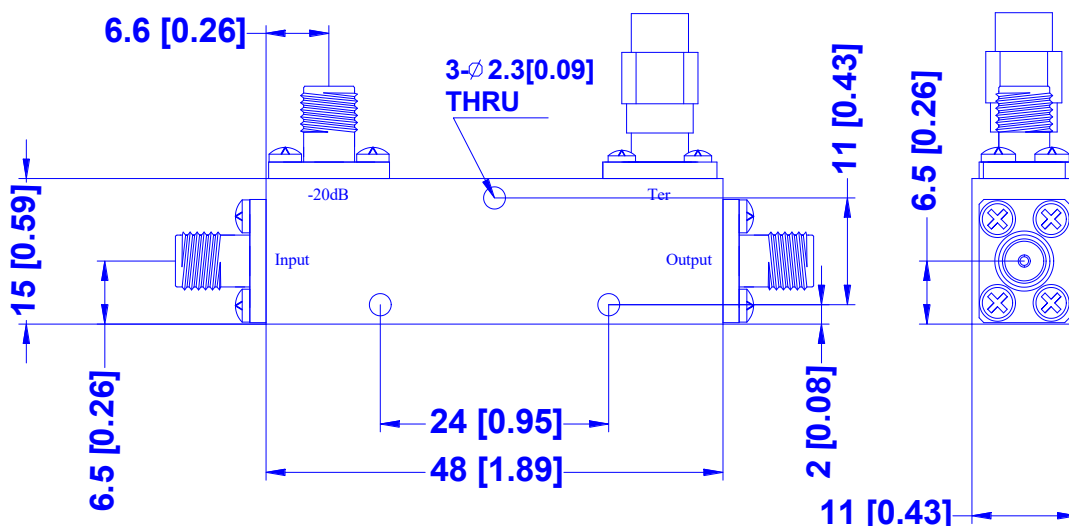
APPLICATIONS

- ❖ Frequency Measurements
- ❖ Signal Levelling, Signal Sampling
- ❖ Signal Injection
- ❖ Reflection Coefficient Measurements
- ❖ Measure incident and reflected power to determine VSWR

SPECIFICATIONS

Parameters	Min.	Typ.	Max.	Min.	Typ.	Max.	Units
Frequency Range	2	-	18	18	-	40	GHz
Impedance	-	50	-	-	50	-	Ohms
Nominal Coupling	19	20	21.5	19	20	21	dB
Frequency Sensitivity	-	±0.5	±1.0	-	±0.7	±1.0	dB
Directivity	12	14	-	10	12	-	dB
Insertion Loss(Excluding coupling losses)	-	0.7	1.0	-	1.0	1.5	dB
Insertion Loss(True)	-	0.7	1.0	-	1.3	1.5	dB
VSWR Primary	-	1.3	1.4	-	1.4	1.6	:1
VSWR Secondary	-	1.3	1.4	-	1.4	1.6	:1
Average Power	30						W
Peak Power	300(10% Duty Cycle, 1µs Pulse Width)						W
Operating Temperature	-40°C~+85°C						
Storage Temperature	-50°C~+105°C						
Input/Output Connectors	2.92mm female(Stainless Steel)						
Weight	35g max						
Surface Finishing	Gray Paint						
Material	Aluminum						

Outline Drawing [mm[inch]]



Tolerances ±0.5[0.02]