

TMDC-02006700-16V30 2-67 GHz, 16dB, 30W, 1.85mm Female

FEATURES

- ❖ Wide Band Operation 2-67GHz
- ❖ Power Handle Capability up to 30W
- ❖ 16 dB Typical Coupling
- ❖ Low Insertion Loss

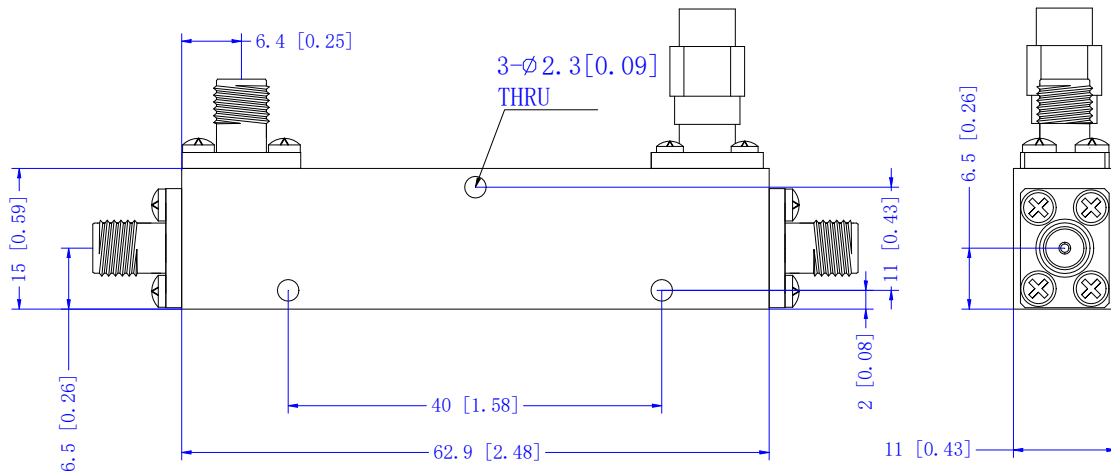
APPLICATIONS

- ❖ Frequency Measurements
- ❖ Signal Levelling, Signal Sampling
- ❖ Signal Injection
- ❖ Reflection Coefficient Measurements
- ❖ Measure incident and reflected power to determine VSWR

SPECIFICATIONS

Parameters	Min.	Typ.	Max.	Units
Frequency Range	2	-	67	GHz
Impedance	-	50	-	Ohms
Nominal Coupling	12	16	20	dB
Frequency Sensitivity	-	-	±3.0	dB
Directivity	8	-	-	dB
Insertion Loss(Excluding coupling loss)	-	-	3.2	dB
Insertion Loss(True)	-	-	-	dB
VSWR Primary	-	-	2.0	:1
VSWR Secondary	-	-	2.0	:1
Average Power	30			W
Peak Power	-			W
Operating Temperature	-45°C~+85°C			
Storage Temperature	-50°C~+105°C			
Input/Output Connectors	1.85mm female			
Weight	45g			
Surface Finishing	Black Paint			
Material	Aluminum			

Outline Drawing [mm[inch]]



Tolerances ±0.5[0.02]