

**TMDC-04000800-20S50 4-8 GHz, 20dB, 50W, SMA Female**

**FEATURES**

- ❖ Wide Band Operation 4-8GHz
- ❖ Power Handle Capability up to 50W
- ❖ 20 dB Typical Coupling
- ❖ Low Insertion Loss

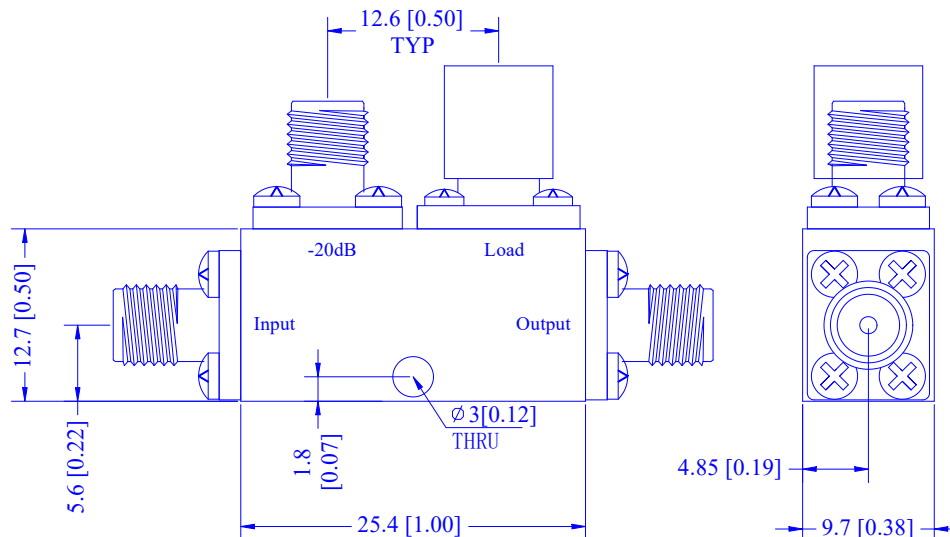
**APPLICATIONS**

- ❖ Frequency Measurements
- ❖ Signal Levelling, Signal Sampling
- ❖ Signal Injection
- ❖ Reflection Coefficient Measurements
- ❖ Measure incident and reflected power to determine VSWR

**SPECIFICATIONS**

Parameters	Min.	Typ.	Max.	Units
Frequency Range	4	-	8	GHz
Impedance	-	50	-	Ohms
Nominal Coupling	19	20	21	dB
Frequency Sensitivity	-	±0.4	±0.7	dB
Directivity	20	23	-	dB
Insertion Loss(Excluding coupling loss)	-	-	0.3	dB
Insertion Loss(True)	-	0.25	0.35	dB
VSWR Primary	-	1.16	1.2	:1
VSWR Secondary	-	1.16	1.2	:1
Average Power	50			W
Peak Power	3(1% Duty Cycle, 1µs Pulse Width)			kW
Operating Temperature	-45°C~+85°C			
Storage Temperature	-50°C~+105°C			
Input/Output Connectors	SMA female(Stainless Steel)			
Weight	20g			
Surface Finishing	Gray Paint			
Material	Aluminum			

**Outline Drawing [mm[inch]]**



Tolerances ±0.5[0.02]