

**TMDC-06001800-6S5 6-18 GHz, 6dB, 5W, SMA Female**

**FEATURES**

- ❖ Wide Band Operation 6-18GHz
- ❖ Power Handle Capability up to 5W
- ❖ 6 dB Typical Coupling
- ❖ Low Insertion Loss

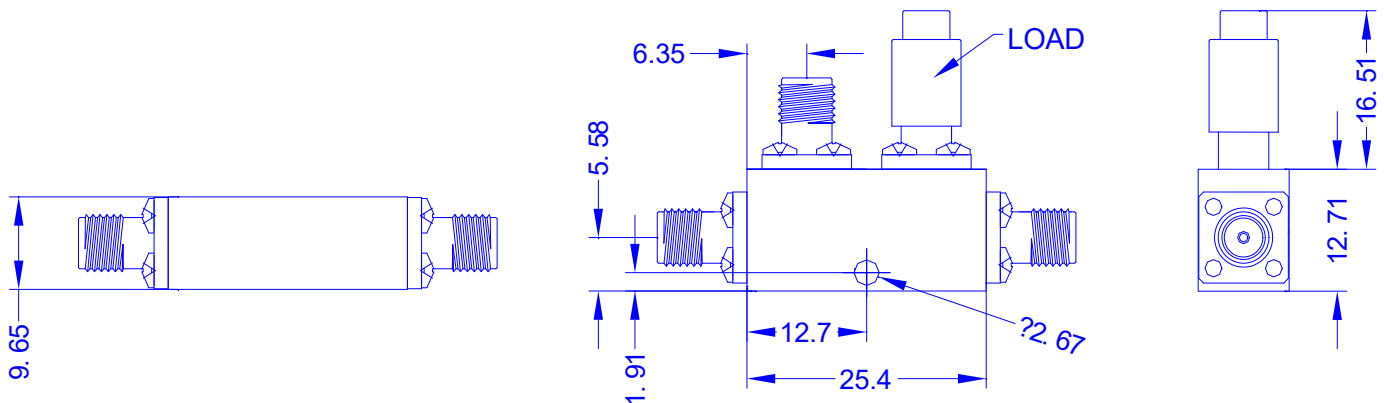
**APPLICATIONS**

- ❖ Frequency Measurements
- ❖ Signal Levelling, Signal Sampling
- ❖ Signal Injection
- ❖ Reflection Coefficient Measurements
- ❖ Measure incident and reflected power to determine VSWR

**SPECIFICATIONS**

Parameters	Min.	Typ.	Max.	Units
Frequency Range	6	-	18	GHz
Impedance	-	50	-	Ohms
Nominal Coupling	5	6	7	dB
Frequency Sensitivity	-	-	±1.0	dB
Directivity	10	-	-	dB
Insertion Loss	-	-	2.2	dB
VSWR Primary	-	-	1.6	:1
VSWR Secondary	-	-	1.6	:1
Average Power	5			W
Operating Temperature	-45°C~+85°C			
Storage Temperature	-50°C~+105°C			
Input/Output Connectors	SMA female			
Weight	30g			
Surface Finishing	Black Paint			
Material	Aluminum			

**Outline Drawing [mm[inch]]**



Tolerances ±0.5[0.02]